

ii



The Barrier Terminal Blocks available with:6.35, 7.62, 8.25,9.5,10.0,11.0mm pitch and 90 degree,180 degree wire insertion directions.

Model	Pitch(mm)	Model	Pitch	Model	Pitch
DG55	10	DG58	10	DG33	8.25

ii

DG55

Pitch:10mm

Rated voltage:300V

Rated Current:25A

Wire Range:22-12AWG

Temp. Range:-40/+105 centigrade degrees

Withstand Voltage:AC2000V at 1 minute

Insulation Resistance:500ohm or more at DC500V

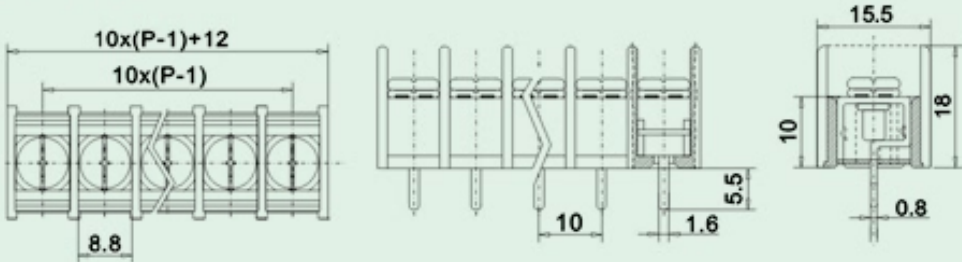
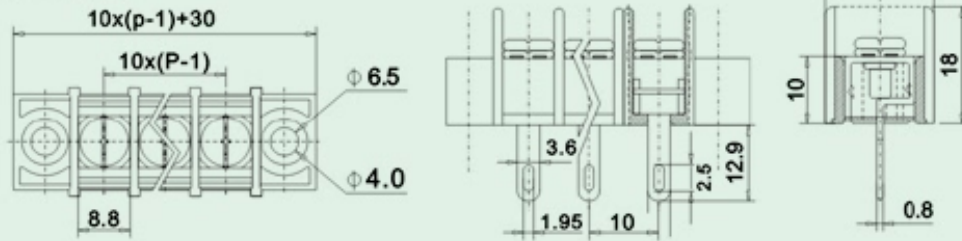
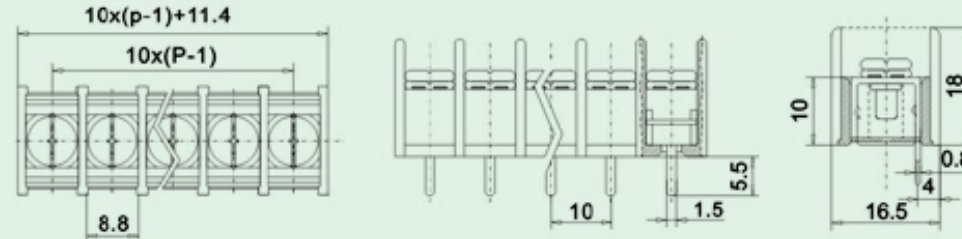
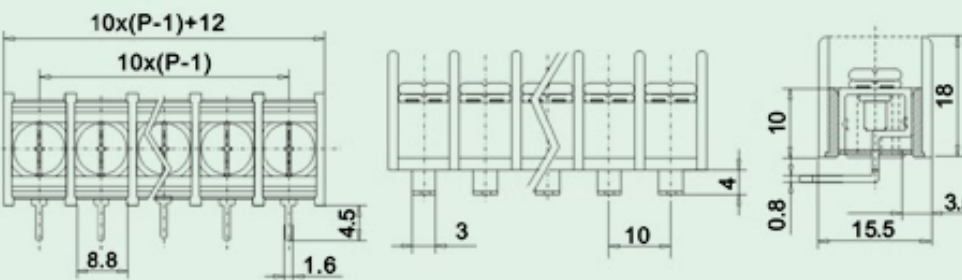
Torque:10KG/CM

Screws:M4 Steel Nickel plated

Terminal:Brass 0.8t Tin plated

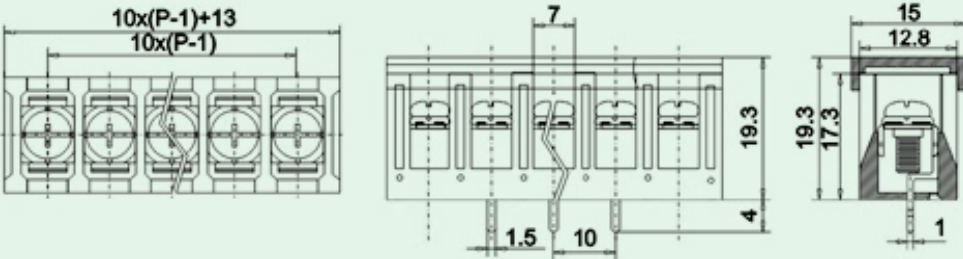
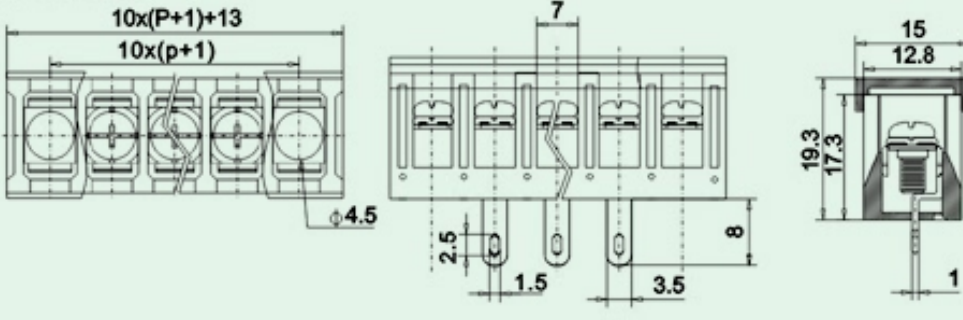
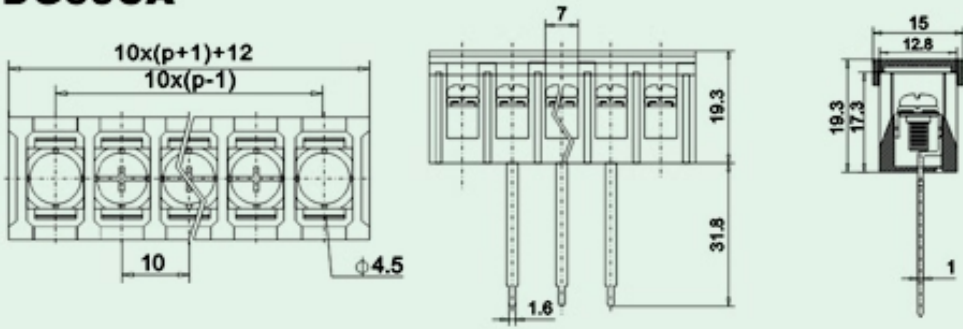
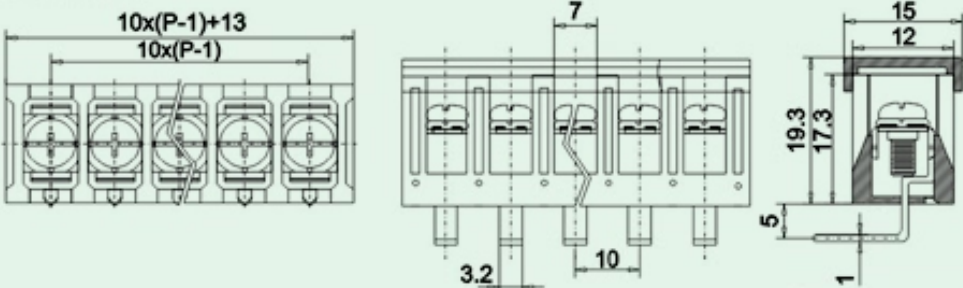
Housing:PA66 UL94V-0

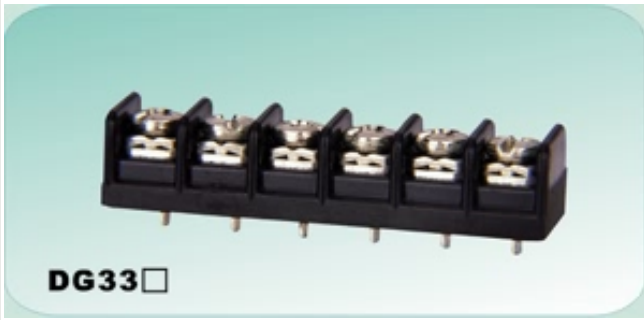
Color:Black

DG55 □**DG55C****DG55H****DG55S****DG55R**

DG58

Pitch:10mm
 Rated voltage:300V
 Rated Current:20A
 Wire Range:22-14AWG
 Temp. Range:-40/+130 centigrade degrees
 Withstand Voltage:AC2000V at 1 minute
 Insulation Resistance:1000ohm or more at DC500V
 Torque:12KG/CM
 Screws:M4 Steel Nickel plated
 Terminal:Brass 1.0t Tin plated
 Housing:PBT UL94V-0
 Color:Black

DG58 □**DG58C****DG58H****DG58CA****DG58R**



DG33 □

DG33
 Pitch:8.25mm
 Rated voltage:300V
 Rated Current:20A
 Wire Range:22-12AWG
 Temp. Range:-40/+105 centigrade degrees
 Withstand Voltage:AC2000V at 1 minute
 Insulation Resistance:500ohm or more at DC500V
 Torque:10KG/CM
 Screws:M3 Steel Nickel plated
 Terminal:Brass 0.8t Tin plated
 Housing:PA66 UL94V-0
 Color:Black

