

Products	Model No.	Type	Termi Quaty.	Circuit Trait	Contact Rating	Electrical Life
	YSR-1211(C) N or D	1P1T	3P	ON- OFF	250VAC,6.5A 125VAC,10A 250VAC,13A 12VDC,20A 24VDC,10A	more than 10,000cycles
	YSR-1211(C)	1P1T	2P	ON- OFF		
	YSR-14(A)- 11 N or D	1P1T	3P	ON- OFF	250VAC, 10A 125VAC, 10A 250VAC,16A 12VDC, 10A 24VDC, 5A	more than 10,000cycles
	YSR-14(A)- 11	1P1T	2P	ON- OFF		
	YSR-14(A)- 12	1P2T	3P	ON-ON		
	YSR-14(B)- 11 N or D	1P1T	3P	ON- OFF	250VAC, 10A 125VAC, 10A 250VAC,16A 12VDC,10A 24VDC, 5A	more than 10,000cycles
	YSR-14(B)- 11	1P1T	2P	ON- OFF		
	YSR-14(B)- 12	1P2T	3P	ON-ON		
	YSR-15(A)- 11 N or D	1P1T	3P	ON- OFF	250VAC, 16A 125VAC,20A 12VDC£-10A 24VDC£-5A	more than 10,000cycles
	YSR-15(A)- 11	1P1T	2P	ON- OFF		
	YSR-15(A)- 13	1P2T	3P	ON- OFF- ON		
	YSR-11(F)- 11 N or D	1P1T	3P	ON- OFF	250VAC, 10A 250VAC, 16A 125VAC,10A 12VDC, 10A 24VDC, 5A	more than 10,000cycles
	YSR-11(F)- 11	1P1T	2P	ON- OFF		
	YSR-11(G)- 11 N or D	1P1T	3P	ON- OFF	250VAC, 10A 250VAC, 16A 125VAC,10A 12VDC, 10A 24VDC, 5A	more than 10,000cycles
	YSR-11(G)- 11	1P1T	2P	ON- OFF		
	YSR-11(E)- 11 N or D	1P1T	3P	ON- OFF	250VAC, 10A 250VAC, 16A 125VAC,10A 12VDC, 10A 24VDC, 5A	more than 10,000cycles
	YSR-11(E)- 11	1P1T	2P	ON- OFF		
	YSR-11(D)- 11 N or D	1P1T	3P	ON- OFF	250VAC, 10A 250VAC, 16A 125VAC,10A 12VDC, 10A 24VDC, 5A	more than 10,000cycles
	YSR-11(D)- 11	1P1T	2P	ON- OFF		

1

2

3

4

For example, the type "2P2T" means double pole & double throw switch.

Click the products photo to view drawing and specification.

For example,"N" of the Model "YSR-11(B)-11 N or D" means alternating current and "D" means direct current.

For example, the type "2P2T" means double pole & double throw switch.

Click the products photo to view drawing and specification.

For example, "N" of the Model "YSR-11(B)-11 N or D" means alternating current and "D" means direct current.

Products	Model No.	Type	Termi Quaty.	Circuit Trait	Contact Rating	Electrical Life
	YSR-11(B)-11 N or D	1P1T	3P	ON- OFF	250VAC, 10A 250VAC, 16A 125VAC, 10A 12VDC, 10A 24VDC, 5A	more than 10,000cycles
	YSR-11(B)-11	1P1T	2P	ON- OFF		
	YSR-11(C)-11 N or D	1P1T	3P	ON- OFF	250VAC, 10A 250VAC, 16A 125VAC, 10A 12VDC, 10A 24VDC, 5A	more than 10,000cycles
	YSR-11(C)-11	1P1T	2P	ON- OFF		
	YSR-7(8)-21 N or D	2P1T	4P	ON- OFF	250VAC, 16A 125VAC, 20A 12VDC, 10A 24VDC, 5A	more than 10,000cycles
	YSR-7(8)-21	2P1T	4P	ON- OFF		
	YSR-10(B)-11	1P1T	2P	ON- OFF	250VAC, 10A 250VAC, 16A 125VAC, 10A 12VDC, 10A 24VDC, 5A	more than 10,000cycles
	YSR-10(B)-12	1P2T	3P	ON-ON		
	YSR-10(C)-21	2P1T	4P	ON- OFF	250VAC, 10A 250VAC, 16A 125VAC, 10A 12VDC, 10A 24VDC, 5A	more than 10,000cycles
	YSR-10(C)-22	2P2T	6P	ON-ON		
	YSR-10(C)-23	2P2T	6P	ON- OFF -ON		
	YSR-10(E)-11	1P1T	2P	ON- OFF	250VAC, 10A 250VAC, 16A 125VAC, 10A 12VDC, 10A 24VDC, 5A	more than 10,000cycles
	YSR-10(E)-12	1P2T	3P	ON-ON		
	YSR-10(E)-13	1P2T	3P	ON- OFF -ON		
	YSR-13-11	1P1T	2P	ON- OFF	250VAC, 6.5(3)A 125VAC, 13(6)A 12VDC, 10A 24VDC, 5A	more than 10,000cycles
	YSR-13-13	1P2T	3P	ON- OFF- ON		


1

2

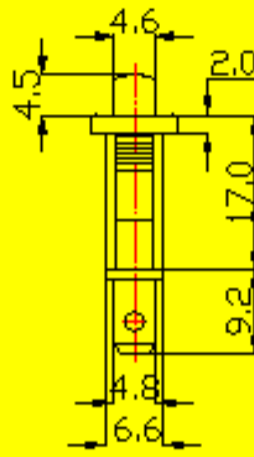
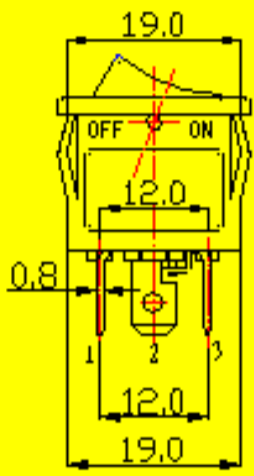
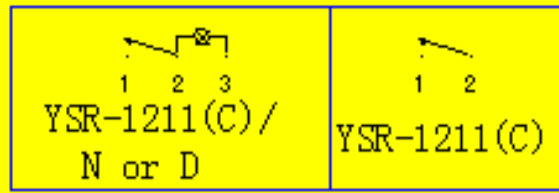
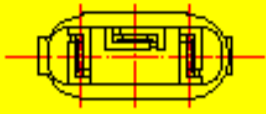
3

4

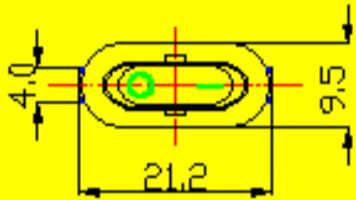
- * Product Name: Rocker Switch;
- * Model No: YSR-1211(C)/N or D, YSR-1211(C);
- * Voltage Resistance: 2000VAC, 1MIN;
- * Operating Temperature: -30 to +85°C

KNOB COLOR	BLACK; RBD; GRBBN; ORANGE; BLUE; ...
BASE COLOR	GRAY; BLACK; WHITE; ...
KNOB SHAPE	TYPE C: 

Wiring Diagram




Panel Installation Size

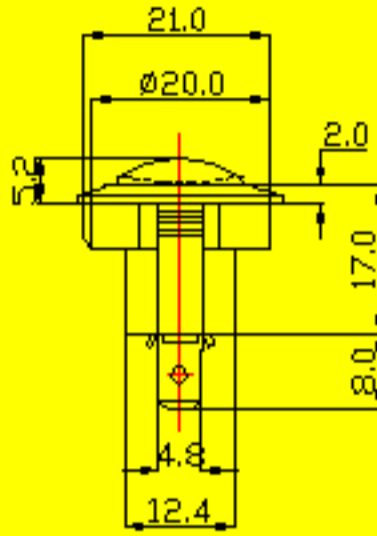
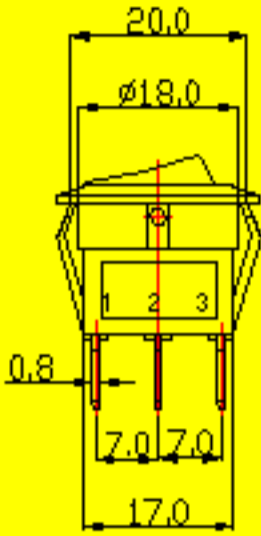
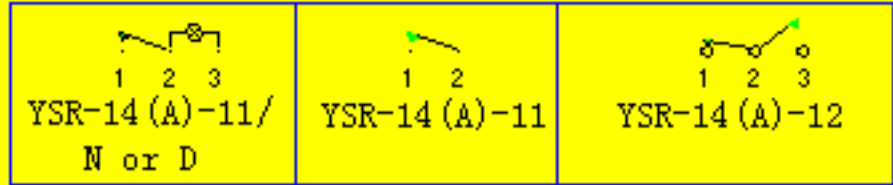
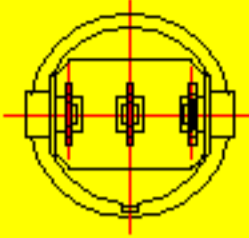


Panel Installation Thickness 1~4mm

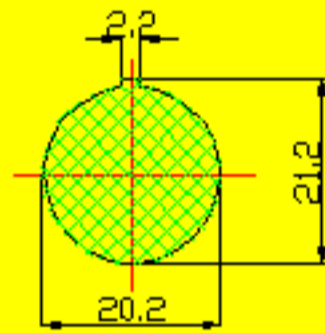
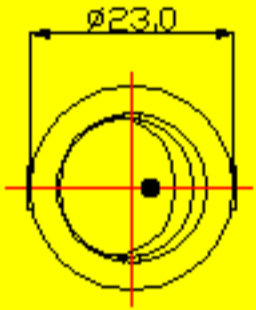
- * Product Name: Rocker Switch;
- * Model No: YSR-14(A)-11/N or D, YSR-14(A)-11, YSR-14(A)-12
- * Voltage Resistance: 2000VAC, 1MIN;
- * Operating Temperature: -30 to +85°C

ENDB COLOR	BLACK; RED; GREEN; ORANGE; BLUE; ...
BASE COLOR	GRAY; BLACK; WHITE; ...
ENDB SHAPE	TYPE C: 

Wiring Diagram




Panel Installation Size

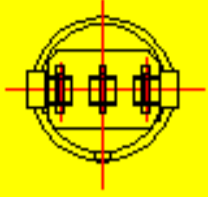


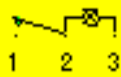

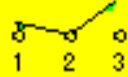
Panel Installation Thickness 1 ~ 4mm

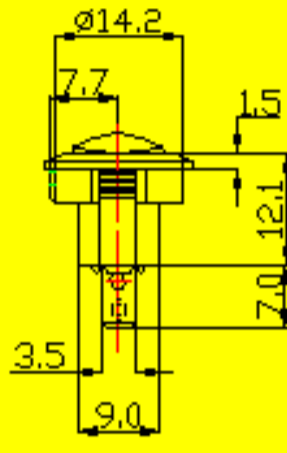
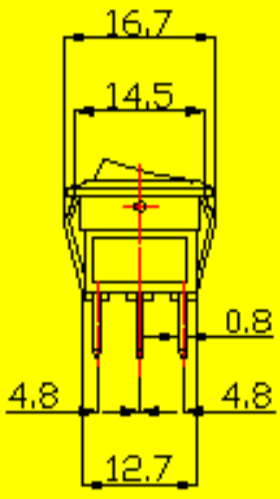
- * Product Name: Rocker Switch;
- * Model No: YSR-14(B)-11/N or D, YSR-14(B)-11, YSR-14(B)-12
- * Voltage Resistance: 2000VAC, 1MIN;
- * Operating Temperature: -30 to +85°C

KNOB COLOR	BLACK; RED; GREEN; ORANGE; BLUE; ...
BASE COLOR	GRAY; BLACK; WHITE; ...
KNOB SHAPE	TYPE C: 

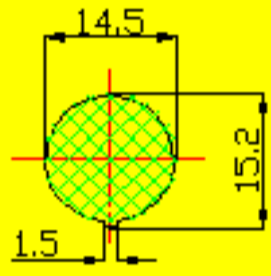
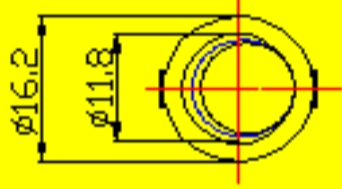
Wiring Diagram



 YSR-14(B)-11/ N or D	 YSR-14(B)-11	 YSR-14(B)-12
--	---	--




Panel Installation Size

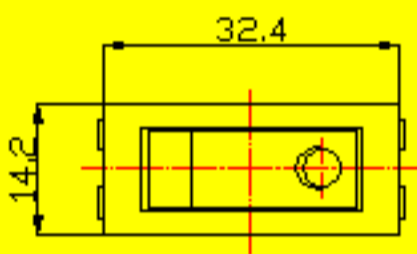
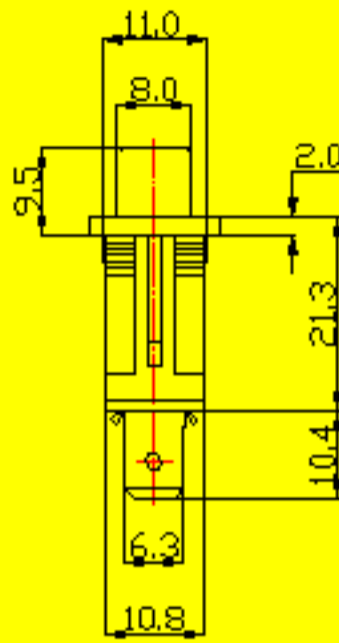
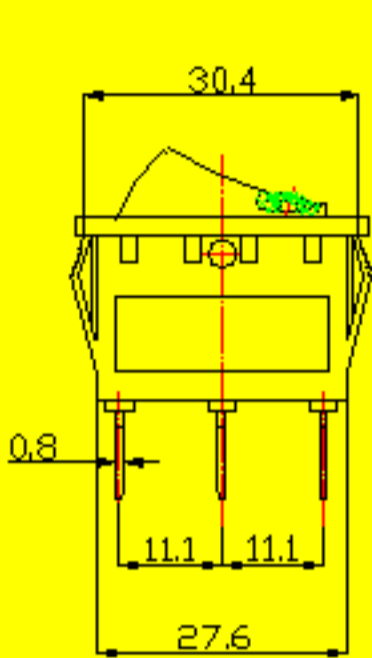
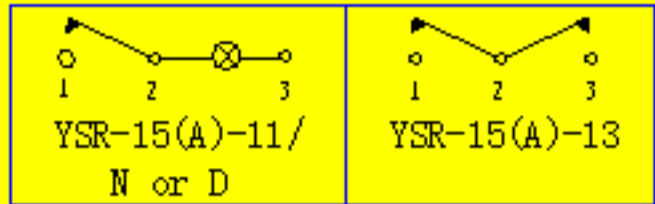
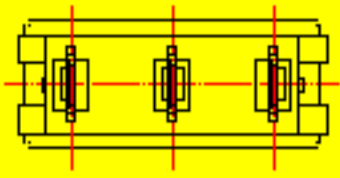


Panel Installation Thickness] ~ 4mm

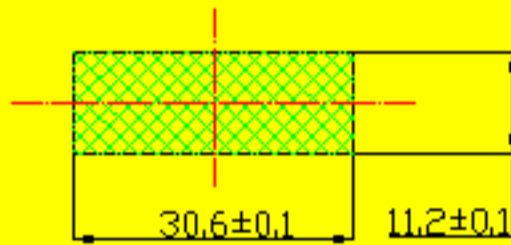
- * Product Name: Rocker Switch;
- * Model No: YSR-15(A)-11/N or D, YSR-15(A)-13
- * Voltage Resistance: 2000VAC, 1MIN;
- * Operating Temperature: -30 to +85°C

KNOB COLOR	BLACK; RED; GREEN; ORANGE; BLUE;...
BASE COLOR	GRAY; BLACK; WHITE;...
KNOB SHAPE	TYPE C: 

Wiring Diagram




Panel Installation Size

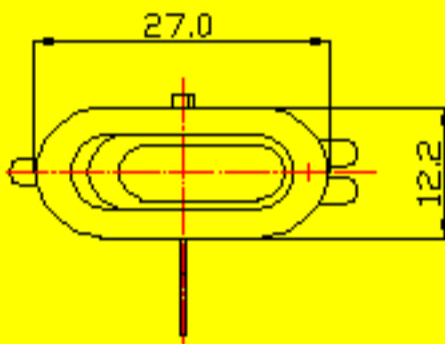
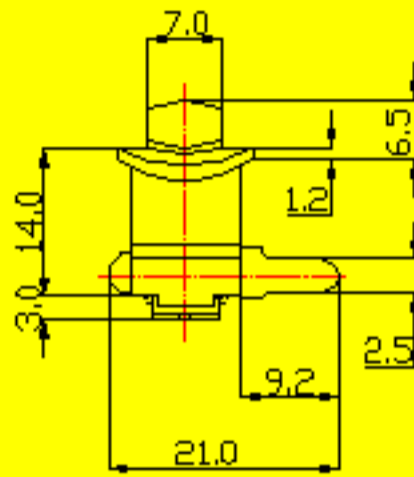
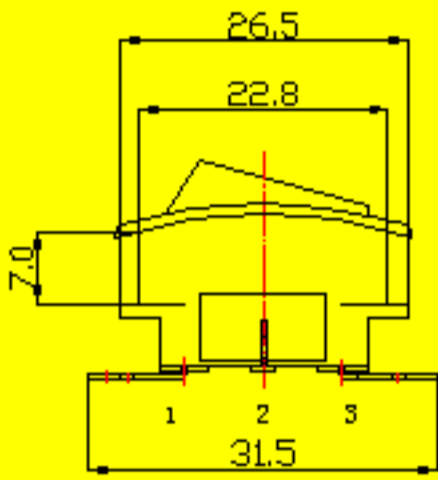
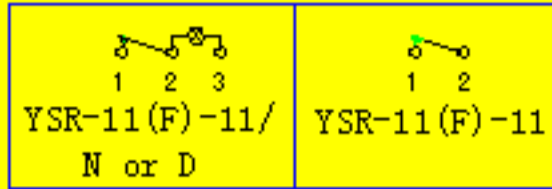


Panel Installation Thickness 1 ~ 4mm

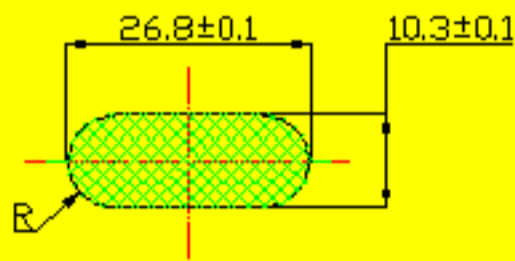
- * Product Name: Rocker Switch;
- * Model No: YSR-11(F)-11/N or D, YSR-11(F)-11;
- * Voltage Resistance: 2000VAC, 1MIN;
- * Operating Temperature: -30 to +85°C

KNOB COLOR	BLACK; RED; GREEN; ORANGE; BLUE; ...
BASE COLOR	GRAY; BLACK; WHITE; ...
KNOB SHAPE	TYPE A: 

Wiring Diagram




Panel Installation Size

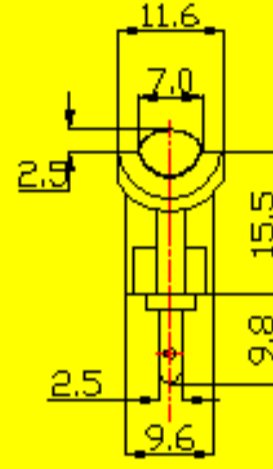
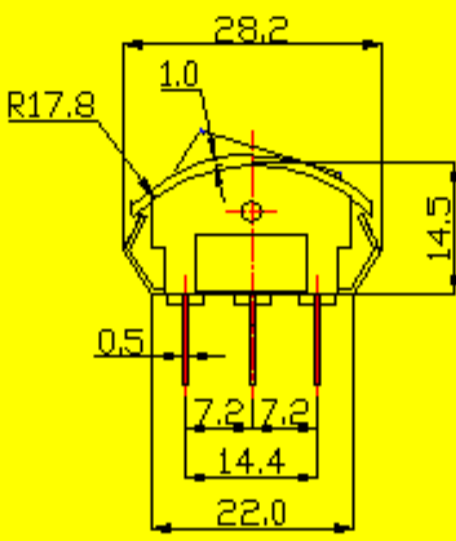
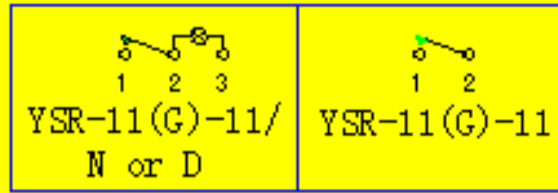


Panel Installation Thickness 1 ~ 4mm

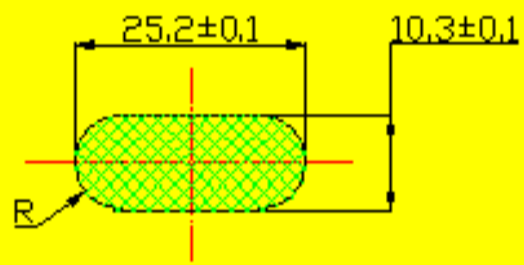
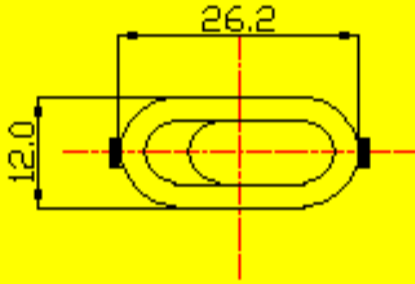
- * Product Name: Rocker Switch;
- * Model No: YSR-11(G)-11/N or D, YSR-11(G)-11;
- * Voltage Resistance: 2000VAC, 1MIN;
- * Operating Temperature: -30 to +85°C

KNOB COLOR	BLACK; RED; GREEN; ORANGE; BLUE; ...
BASE COLOR	GRAY; BLACK; WHITE; ...
KNOB SHAPE	TYPE A; 

Wiring Diagram




Panel Installation Size

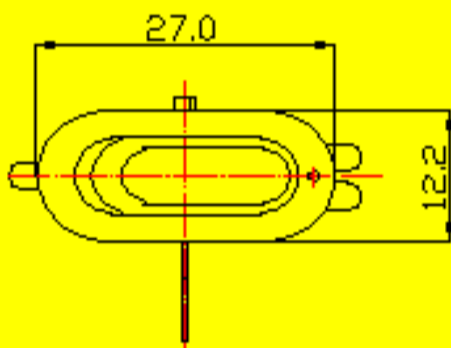
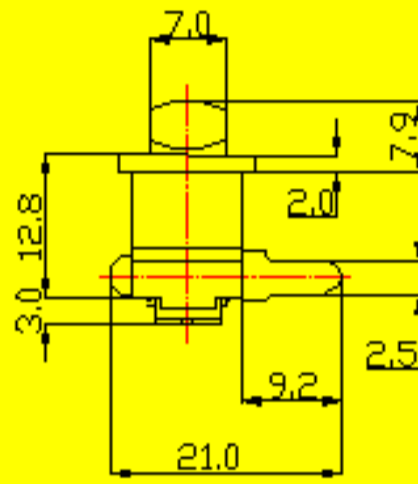
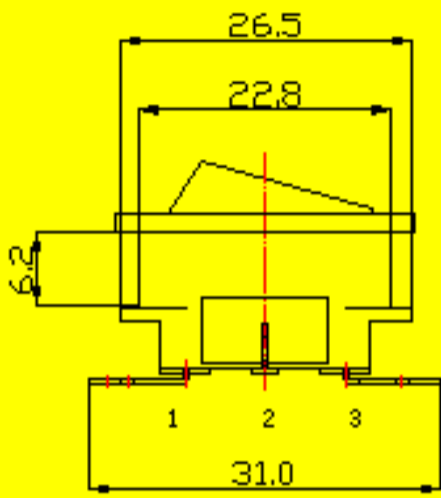
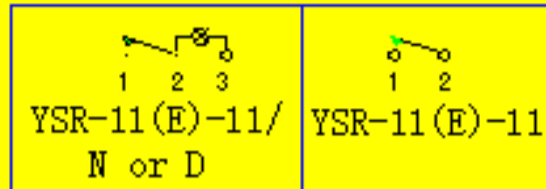


Panel Installation Thickness 1 ~ 4

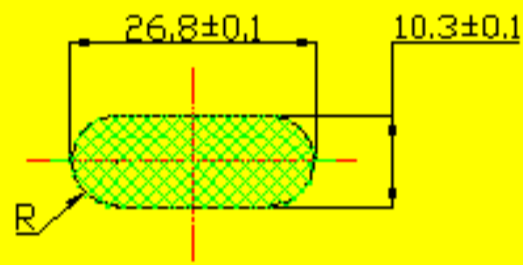
- * Product Name: Rocker Switch;
- * Model No: YSR-11(E)-11/N or D, YSR-11(E)-11;
- * Voltage Resistance: 2000VAC, 1MIN;
- * Operating Temperature: -30 to +85°C

KNOB COLOR	BLACK; RED; GREEN; ORANGE; BLUE; ...
BASE COLOR	GRAY; BLACK; WHITE; ...
KNOB SHAPE	TYPE A: 

Wiring Diagram




Panel Installation Size

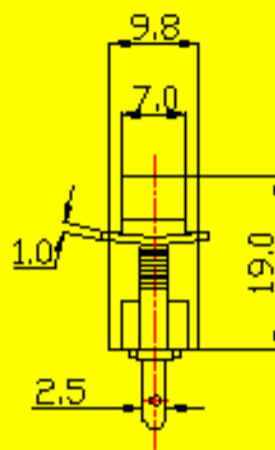
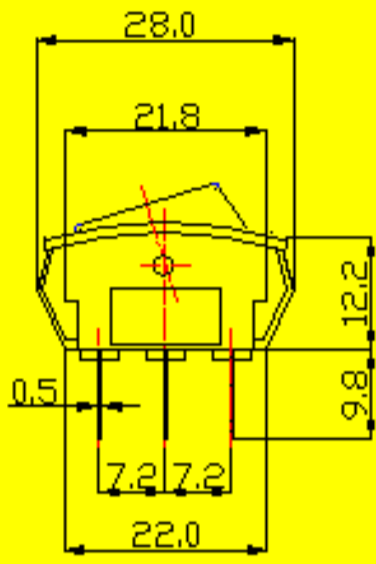
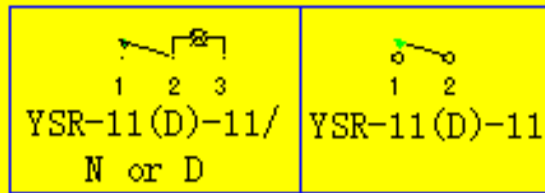


Panel Installation Thickness 1 ~ 4mm

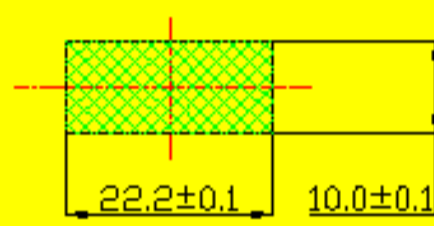
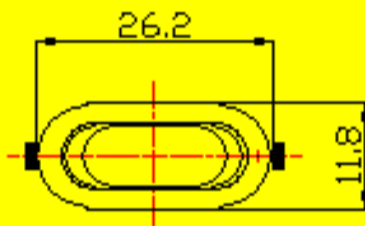
- * Product Name: Rocker Switch;
- * Model No: YSR-11(D)-11/N or D, YSR-11(D)-11;
- * Voltage Resistance: 2000VAC, 1MIN;
- * Operating Temperature: -30 to +85°C

KNOB COLOR	BLACK; RED; GREEN; ORANGE; BLUE; ...
BASE COLOR	GRAY; BLACK; WHITE; ...
KNOB SHAPE	TYPE A: 

Wiring Diagram




Panel Installation Size

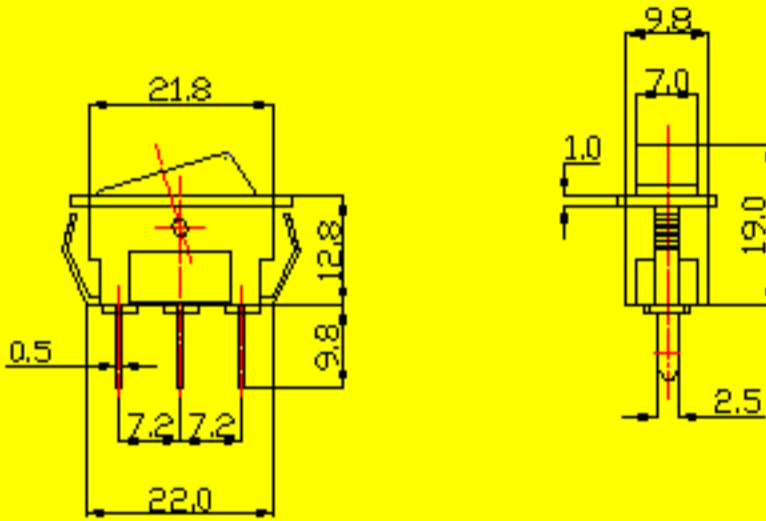
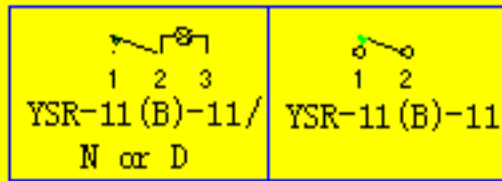


Panel Installation Thickness 1 ~ 4mm

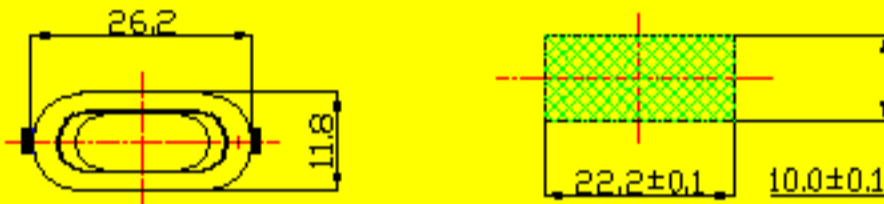
- * Product Name: Rocker Switch;
- * Model No: YSR-11(B)-11/N or D, YSR-11(B)-11;
- * Voltage Resistance: 2000VAC, 1MIN;
- * Operating Temperature: -30 to +85 °C

KNDB COLOR	BLACK; RED; GREEN; ORANGE; BLUE; ...
BASE COLOR	GRAY; BLACK; WHITE; ...
KNDB SHAPE	TYPE A: 

Wiring Diagram




Panel Installation Size

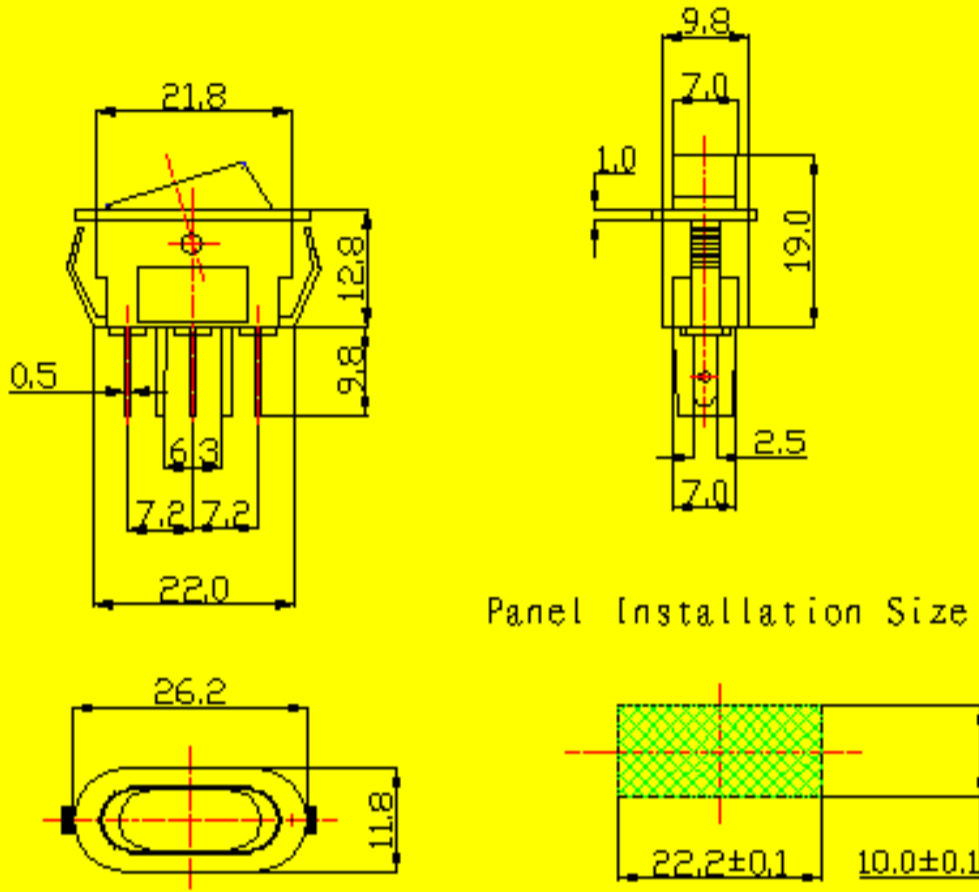
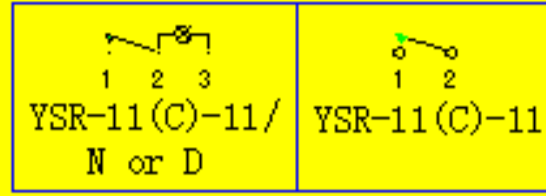


Panel Installation Thickness 1~4mm

- * Product Name: Rocker Switch;
- * Model No: YSR-11(C)-11/N or D, YSR-11(C)-11;
- * Voltage Resistance: 2000VAC, 1MIN;
- * Operating Temperature: -30 to +85°C

KNOB COLOR	BLACK; RED; GREEN; ORANGE; BLUE; ...
BASE COLOR	GRAY; BLACK; WHITE; ...
KNOB SHAPE	TYPE A: 


Wiring Diagram



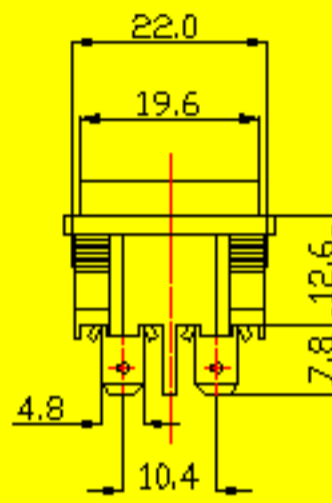
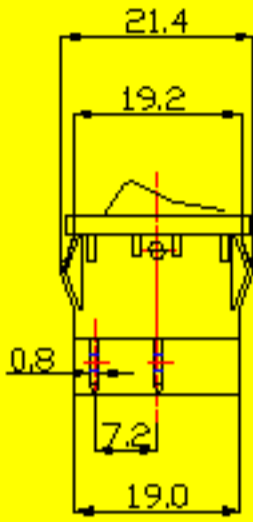
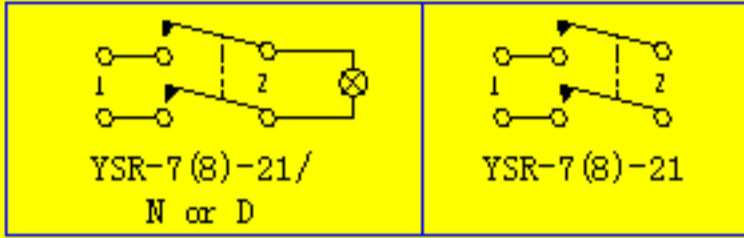
Panel Installation Size

Panel Installation Thickness 1~4mm

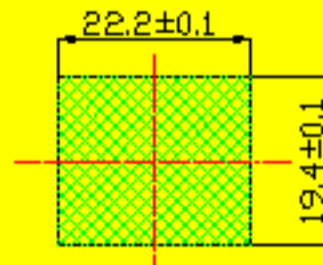
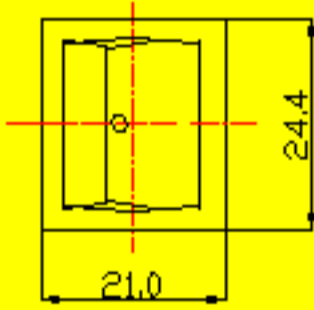
- * Product Name: Rocker Switch;
- * Model No: YSR-7(8)-21/N or D, YSR-7(8)-21;
- * Voltage Resistance: 2000VAC, 1MIN;
- * Operating Temperature: -30 to +85°C

KNOB COLOR	BLACK; RED; GREEN; ORANGE; BLUE; ...
BASE COLOR	GRAY; BLACK; WHITE; ...
KNOB SHAPE	TYPE C: 

Wiring Diagram



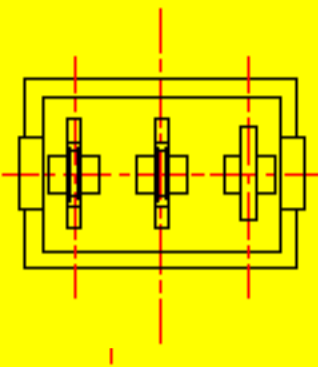
Panel Installation Size



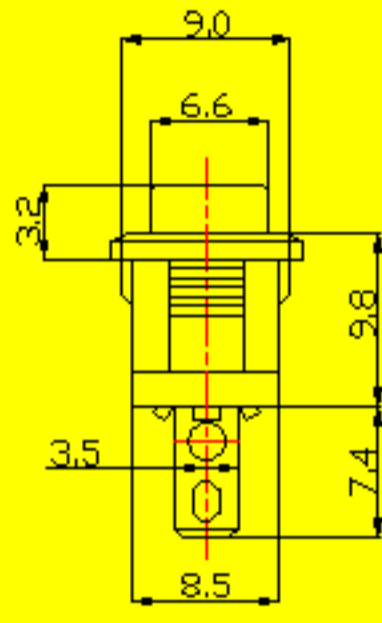
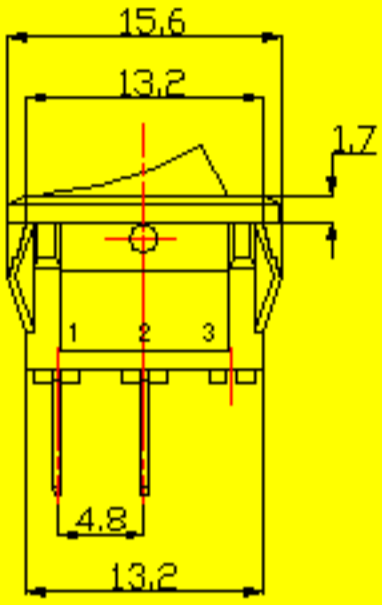
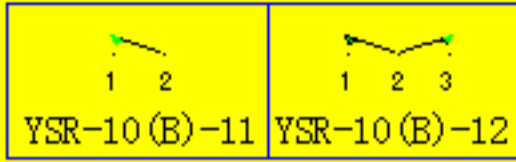
Panel Installation Thickness 1~4mm

- * Product Name: Rocker Switch;
- * Model No: YSR-10(B)-11, YSR-10(B)-12;
- * Voltage Resistance: 2000VAC, 1MIN;
- * Operating Temperature: -30 to +85°C

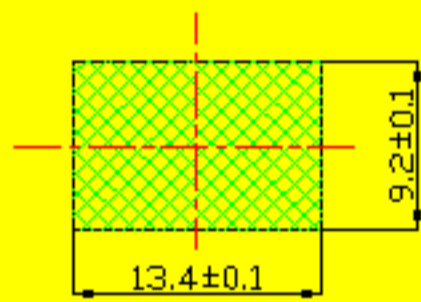
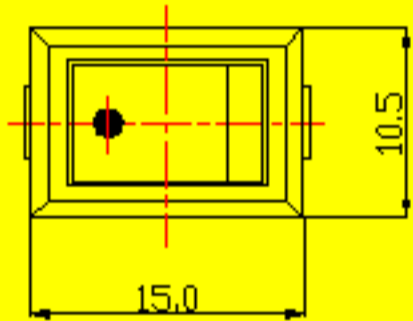
KNOB COLOR	BLACK; RED; GREEN; ORANGE; BLUE; ...
BASE COLOR	GRAY; BLACK; WHITE; ...
KNOB SHAPE	TYPE C: 



Wiring Diagram




Panel Installation Size

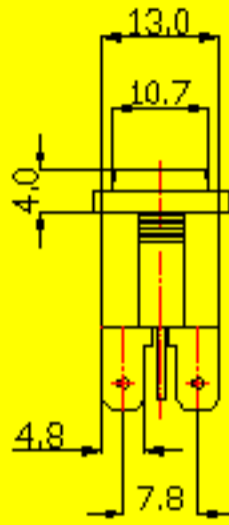
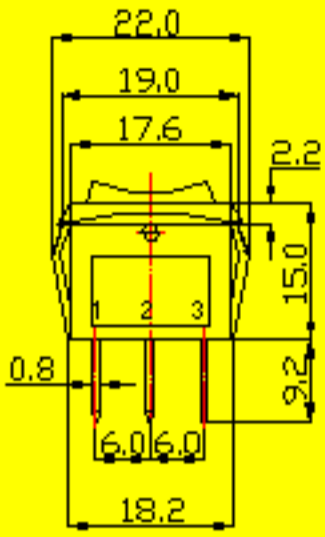
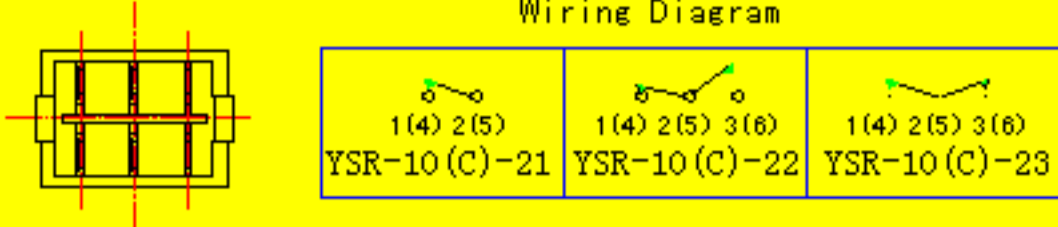


Panel Installation Thickness 1~4mm

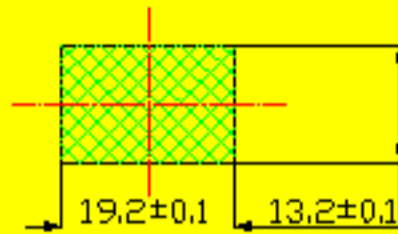
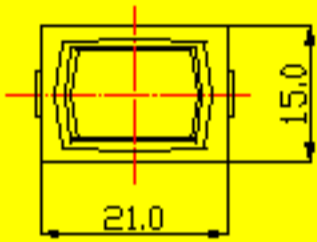
- * Product Name: Rocker Switch;
- * Model No: YSR-10(C)-21, YSR-10(C)-22, YSR-10(C)-23;
- * Voltage Resistance: 2000VAC, 1MIN;
- * Operating Temperature: -30 to +85°C

KNOB COLOR	BLACK; RED; GREEN; ORANGE; BLUE; ...
BASE COLOR	GRAY; BLACK; WHITE; ...
KNOB SHAPE	TYPE C: 

Wiring Diagram



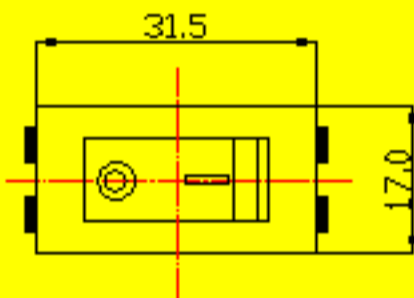
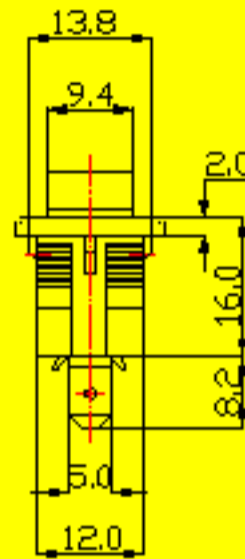
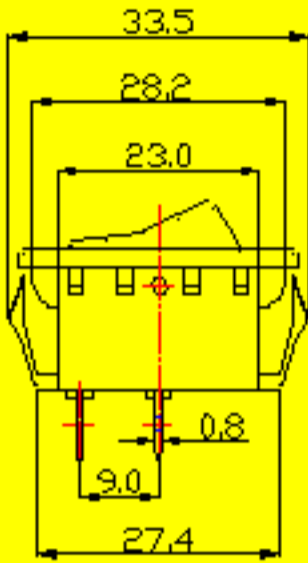
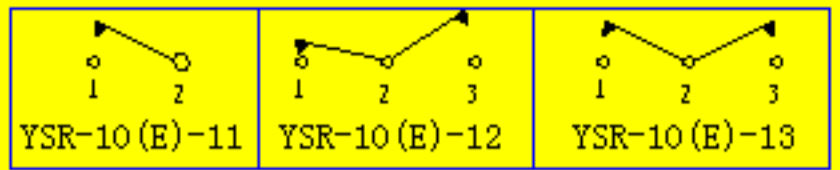
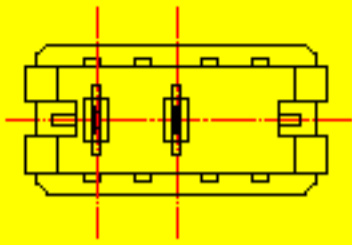
Panel Installation Size



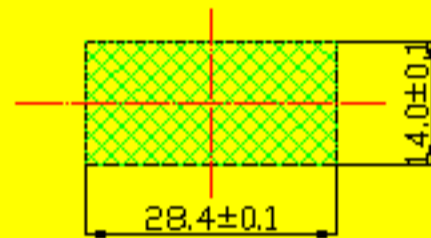
- * Product Name: Rocker Switch;
- * Model No: YSR-10 (E)-11, YSR-10 (E)-12, YSR-10 (E)-13;
- * Voltage Resistance: 2000VAC, 1MIN;
- * Operating Temperature: -30 to +85°C

KNOB COLOR	BLACK; RED; GREEN; ORANGE; BLUE; ...
BASE COLOR	GRAY; BLACK; WHITE; ...
KNOB SHAPE	TYPE C: 

Wiring Diagram




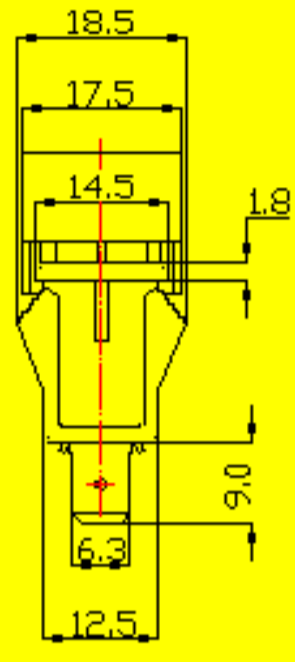
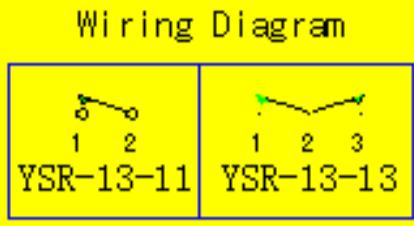
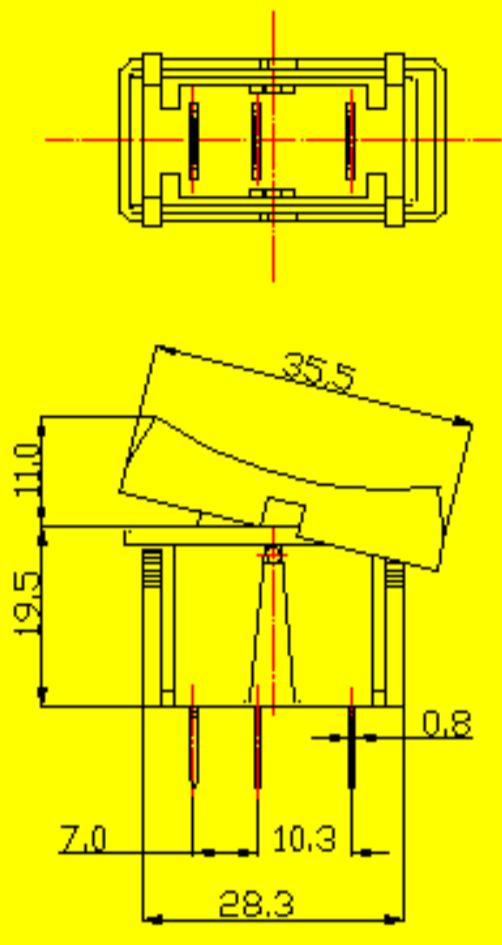
Panel Installation Size



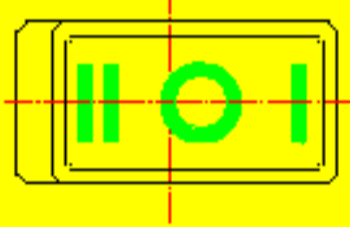
Panel Installation Thickness 1 ~ 4mm

- * Product Name: Rocker Switch;
- * Model No: YSR-13-11, YSR-13-13;
- * Voltage Resistance: 2000VAC, 1MIN;
- * Operating Temperature: -30 to +85°C

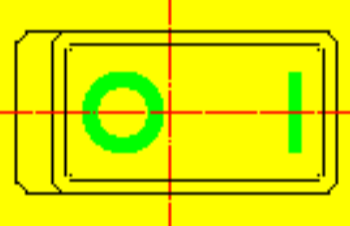
KNOB COLOR	BLACK; RED; GREEN; ORANGE; BLUE; ...
BASE COLOR	GRAY; BLACK; WHITE; ...
KNOB SHAPE	TYPE C: 



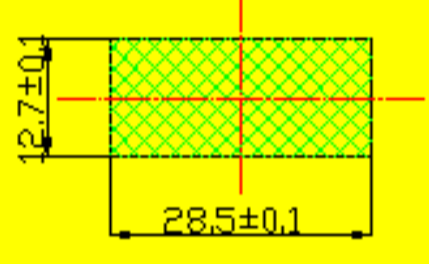
YSR-413



YSR-411



Panel Installation Size



Panel Installation Thickness 1 ~ 4mm