

Products	Model No.	Type	Termi. Quaty.	Circuit Trait	Contact Rating	Electrical Life
	YSR-15(1)-11 N or D	1P1T	3P	ON-OFF	250VAC, 16A 125VAC, 20A 12VDC, 20A 24VDC, 10A	more than 10,000cycles
	YSR-15(1)-11	1P1T	2P	ON-OFF		
	YSR-15(1)-12	1P2T	3P	ON-ON		
	YSR-15(2)-11 N or D	1P1T	3P	ON-OFF	250VAC, 16A 125VAC, 20A 12VDC, 20A 24VDC, 10A	more than 10,000cycles
	YSR-15(2)-11	1P1T	2P	ON-OFF		
	YSR-15(2)-12	1P2T	3P	ON-ON		
	YSR-15(3)-21 N or D	2P1T	6P	ON-OFF	250VAC, 16A 125VAC, 20A 12VDC, 20A 24VDC, 10A	more than 10,000cycles
	YSR-15(3)-21	2P1T	4P	ON-OFF		
	YSR-15(3)-22	2P2T	6P	ON-ON		
	YSR-15(4)-31 N or D	3P1T	9P	ON-OFF	250VAC, 16A 125VAC, 20A 12VDC, 20A 24VDC, 10A	more than 10,000cycles
	YSR-15(4)-31	3P1T	6P	ON-OFF		
	YSR-15(4)-32	3P2T	9P	ON-ON		
	YSR-7(5)-21 N or D	2P1T	4P	ON-OFF	250VAC, 16A 125VAC, 20A 12VDC, 20A 24VDC, 10A	more than 10,000cycles
	YSR-7(5)-22	2P2T	6P	ON-ON		
	YSR-7(5)-23 N or D	2P2T	6P	ON-OFF-ON		
	YSR-7(6)-21 N or D	2P1T	4P	ON-OFF	250VAC, 16A 125VAC, 20A 12VDC, 20A 24VDC, 10A	more than 10,000cycles
	YSR-7(6)-22	2P2T	6P	ON-ON		
	YSR-7(6)-23 N or D	2P2T	6P	ON-OFF-ON		
	YSR-7(7)-21 N or D	2P1T	4P	ON-OFF	250VAC, 16A 125VAC, 20A 12VDC, 20A 24VDC, 10A	more than 10,000cycles
	YSR-7(7)-22	2P2T	6P	ON-ON		
	YSR-7(01)-21 N or D	2P1T	4P	ON-OFF	250VAC, 16A 125VAC, 20A 12VDC, 20A 24VDC, 10A	more than 10,000cycles
	YSR-7(01)-22	2P2T	6P	ON-ON		

1

2

3

4

For example, the type "2P2T" means double pole & double throw switch.

Click the products photo to view drawing and specification.

For example, "N" of the Model "YSR-15(1)-11 /N or D" means alternating current and "D" means direct current.

ii  
ii




Products	Model No.	Type	Termi · Quaty.	Circuit Trait	Contact Rating	Electrical Life
	YSR-7(02)- 21 N or D	2P1T	4P	ON- OFF	250VAC, 16A 125VAC, 20A 12VDC, 20A 24VDC, 10A	more than 10,000cycles
	YSR-7(02)- 22	2P2T	6P	ON- ON		
	YSR-15(8)- 11 N or D	1P1T	3P	ON- OFF	250VAC, 16A 125VAC, 20A 12VDC, 20A 24VDC, 10A	more than 10,000cycles
	YSR-15(8)- 11	1P1T	2P	ON- OFF		
	YSR-15(8)- 12	1P2T	3P	ON- ON		
	YSR-9(B) N or D	1P1T	3P	ON- OFF	250VAC, 16A 125VAC, 20A 12VDC, 20A 24VDC, 10A	more than 10,000cycles
	YSR-9(B)	1P1T	2P	ON- OFF		
	YSR-9(C) N or D	1P1T	3P	ON- OFF	250VAC, 16A 125VAC, 20A 12VDC, 20A 24VDC, 10A	more than 10,000cycles
	YSR-9(C)	1P1T	2P	ON- OFF		
	YSR-10(A)- 11 N or D	1P1T	3P	ON- OFF	250VAC, 10A 250VAC, 16A 125VAC, 10A 12VDC, 10A 24VDC, 5A	more than 10,000cycles
	YSR-10(A)- 12	1P2T	3P	ON- ON		
	YSR-10(A)- 13	1P2T	3P	ON- OFF -ON		
	YSR-11(A)- 11 N or D	1P1T	3P	ON- OFF	250VAC, 10A 250VAC, 16A 125VAC, 10A 12VDC, 10A 24VDC, 5A	more than 10,000cycles
	YSR-11(A)- 11	1P1T	2P	ON- OFF		
	YSR- 1221(A)/N	2P1T	4P	ON- OFF	250VAC, 6.5A 125VAC, 10A 250VAC, 13A 12VDC, 10A 24VDC, 5A	more than 10,000cycles
	YSR-1221(A)	2P1T	4P	ON- OFF		
	YSR- 1211£"A£©/N	1P1T	3P	ON- OFF		
	YSR- 1211£"A£©	1P1T	2P	ON- OFF		
	YSR- 1211(B) N or D	1P1T	3P	ON- OFF	250VAC, 6.5A 125VAC, 10A 250VAC, 13A 12VDC, 10A 24VDC, 5A	more than 10,000cycles
	YSR- 1211(B)	1P1T	2P	ON- OFF		

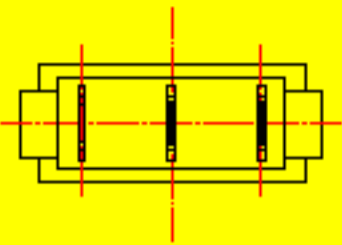
For example, the type "2P2T" means double pole & double throw switch.

Click the products photo to view drawing and specification.

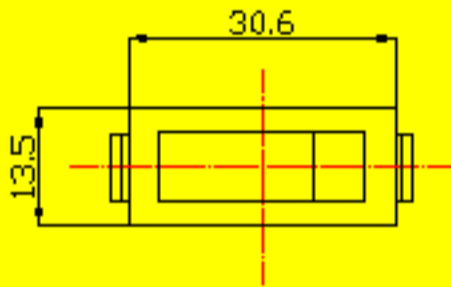
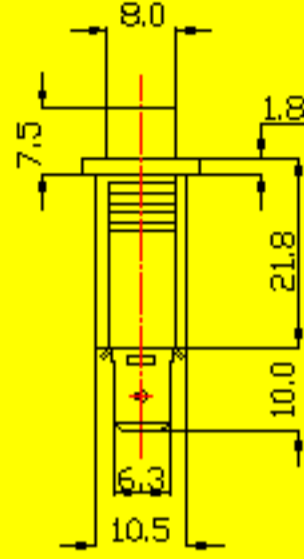
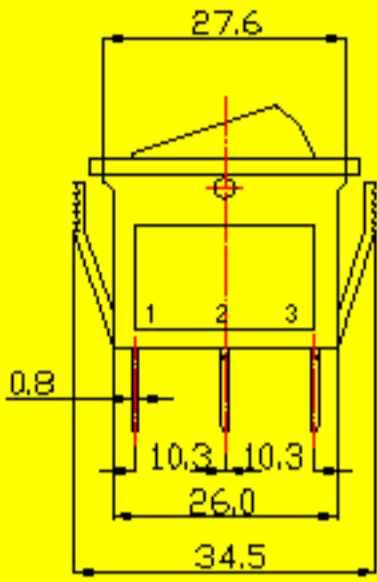
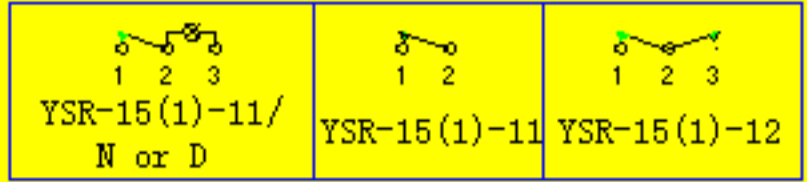
For example, "N" of the Model "YSR-11(B)-11 N or D" means alternating current and "D" means direct current.

- \* Product Name: Rocker Switch;
- \* Model No: YSR-15(1)-11/N or D, YSR-15(1)-11, YSR-15(1)-12;
- \* Voltage Resistance: 2000VAC, 1MIN;
- \* Operating Temperature: -30 to +85°C

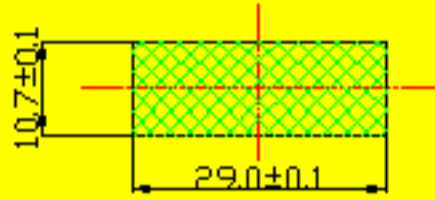
Knob Color	BLACK; RED; GREEN; ORANGE; BLUE;...
Base Color	GRAY; BLACK; WHITE;...
Knob Shape	TYPE A:  TYPE B:  TYPE C: 



Wiring Diagram






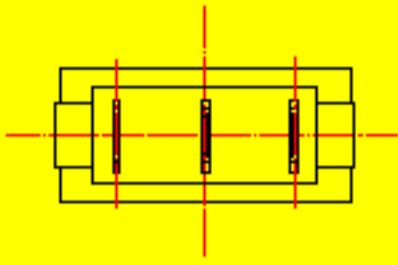
Panel Installation Size



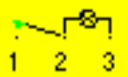

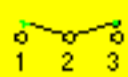
Panel Installation Thickness 1 ~ 4mm

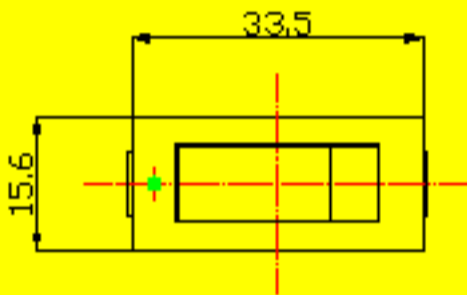
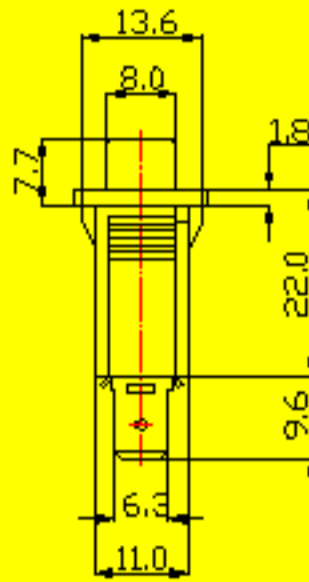
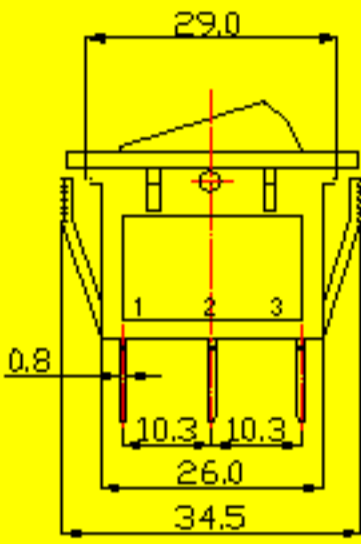
- \* Product Name: Rocker Switch;
- \* Model No: YSR-15(2)-11/N or D, YSR-15(2)-11, YSR-15(2)-12;
- \* Voltage Resistance: 2000VAC, 1MIN;
- \* Operating Temperature: -30 to +85°C

KNOB COLOR	BLACK; RED; GREEN; ORANGE; BLUE; ...
BASE COLOR	GRAY; BLACK; WHITE; ...
KNOB SHAPE	TYPE A:  TYPE B:  TYPE C: 

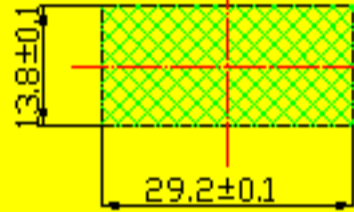


Wiring Diagram

 YSR-15(2)-11/ N or D	 YSR-15(2)-11	 YSR-15(2)-12
--	---	---






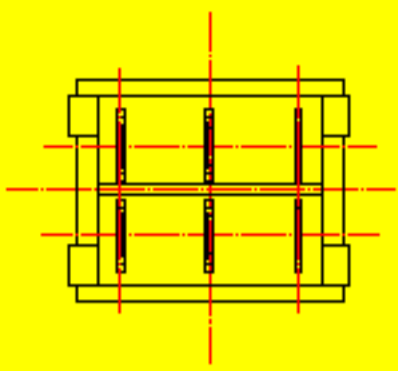
Panel Installation Size






Panel Installation Thickness 1 ~ 4mm

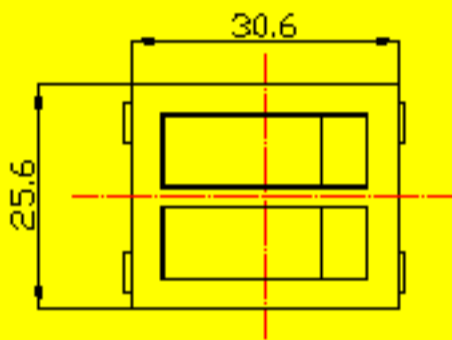
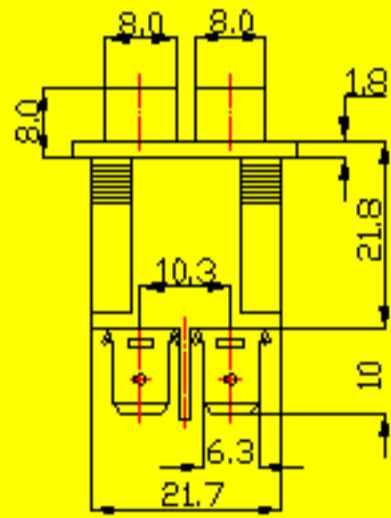
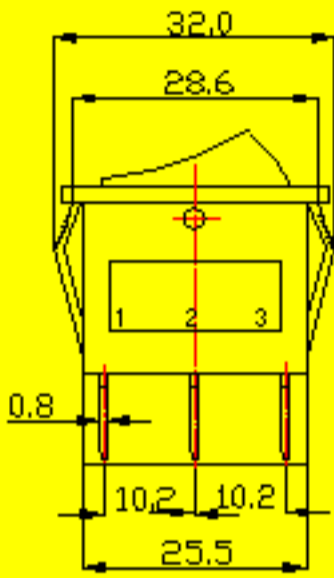
- \* Product Name: Rocker Switch;
- \* Model No: YSR-15(3)-21/N or D, YSR-15(3)-21, YSR-15(3)-22;
- \* Voltage Resistance: 2000VAC, 1MIN;
- \* Operating Temperature: -30 to +85°C

KNOB COLOR	BLACK; RED; GREEN; ORANGE; BLUE; ...
BASE COLOR	GRAY; BLACK; WHITE; ...
KNOB SHAPE	TYPE A:  TYPE B:  TYPE C: 



Wiring Diagram

 1(4) 2(5) 3(6) YSR-15(3)-21/ N or D	 1(4) 2(5) YSR-15(3)-21	 1(4) 2(5) 3(6) YSR-15(3)-22
--	--	---



Panel Installation Size



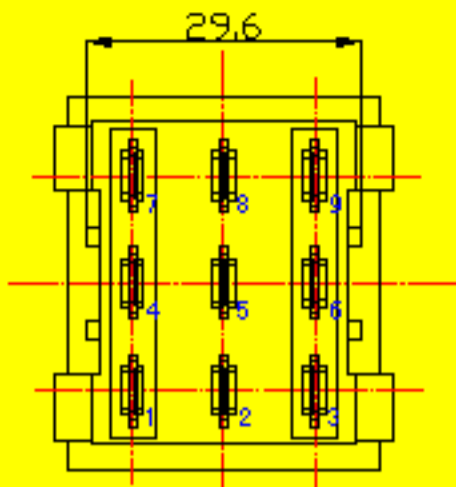
Panel Installation Thickness 1 ~ 4mm

- \* Product Name: Rocker Switch;
- \* Model No: YSR-15(4)-21/N or D, YSR-15(4)-21, YSR-15(4)-22;
- \* Voltage Resistance: 2000VAC, 1MIN;
- \* Operating Temperature: -30 to +85°C

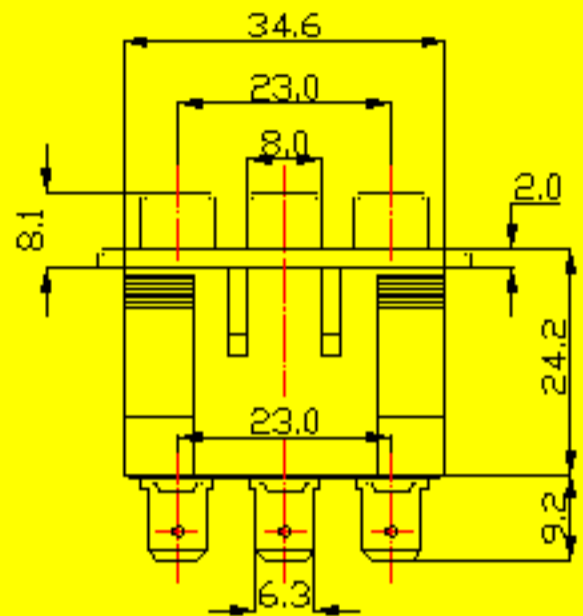
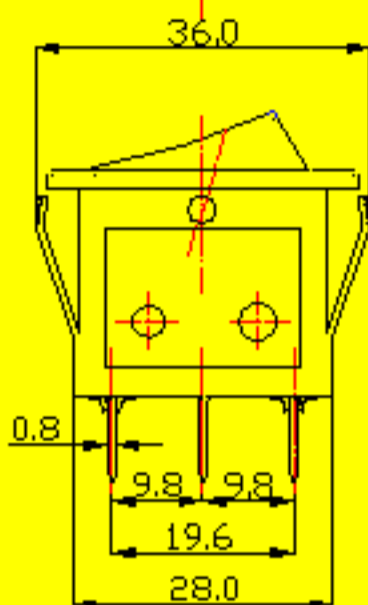
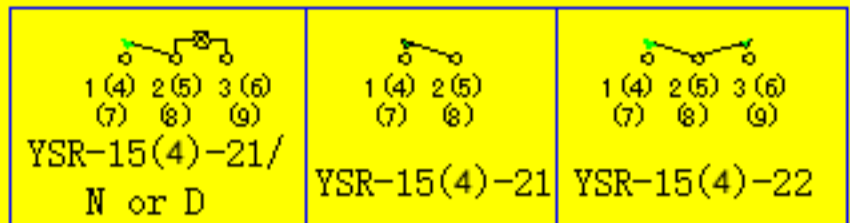
KNOB COLOR BLACK; RED; GREEN; ORANGE; BLUE; ...

BASE COLOR GRAY; BLACK; WHITE; ...

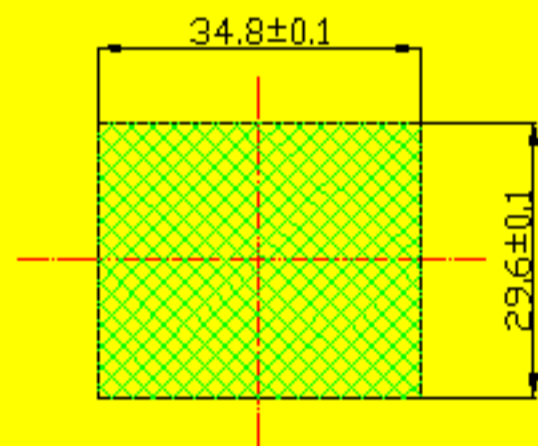
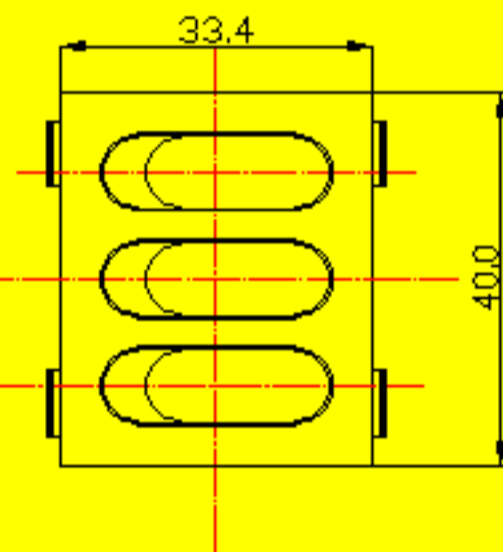
KNOB SHAPE TYPE A:  TYPE B:  TYPE C: 



Wiring Diagram






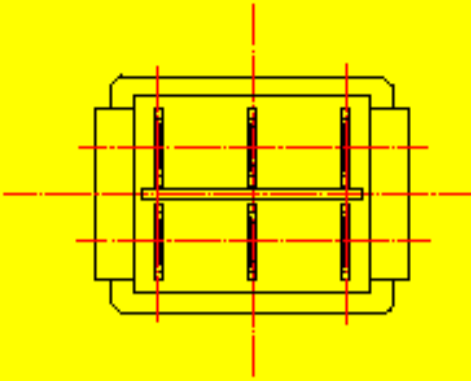
Panel Installation Size



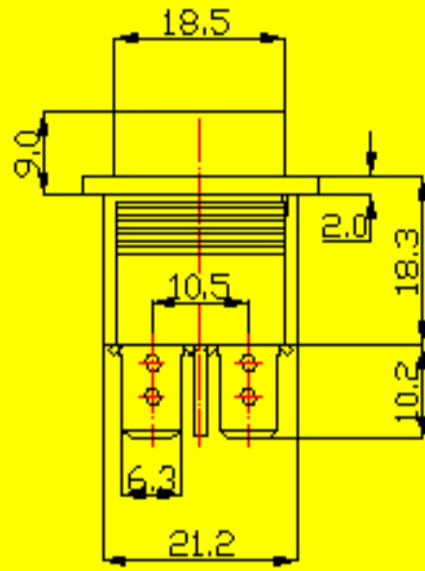
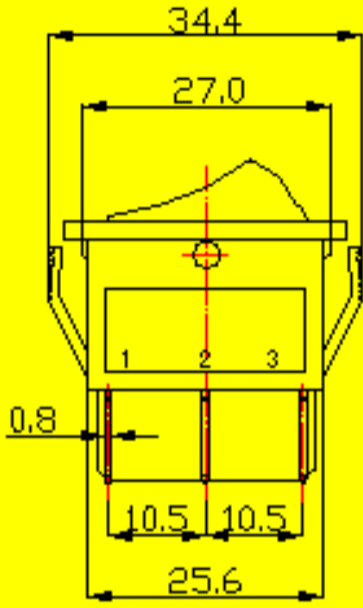
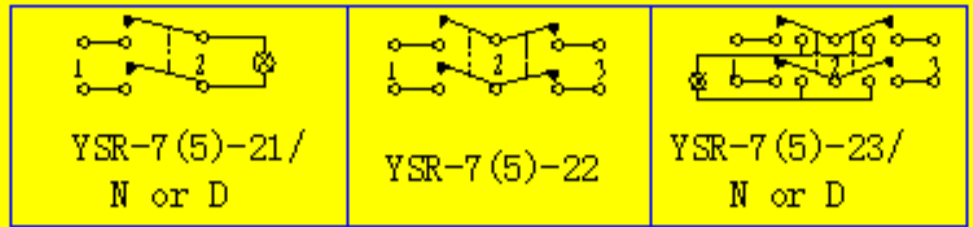
Panel Installation Thickness 1 ~ 4mm

- \* Product Name: Rocker Switch;
- \* Model No: YSR-7(5)-21/N or D, YSR-7(5)-22, YSR-7(5)-23/N or D;
- \* Voltage Resistance: 2000VAC, 1MIN;
- \* Operating Temperature: -30 to +85°C

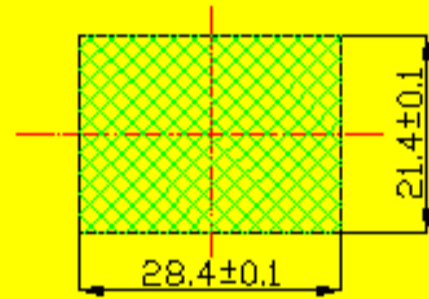
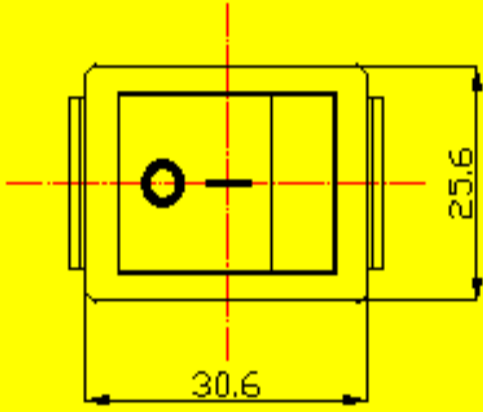
KNOB COLOR	BLACK; RED; GREEN; ORANGE; BLUE; ...
BASE COLOR	GRAY; BLACK; WHITE; ...
KNOB SHAPE	TYPE A:  TYPE B:  TYPE C: 



Wiring Diagram






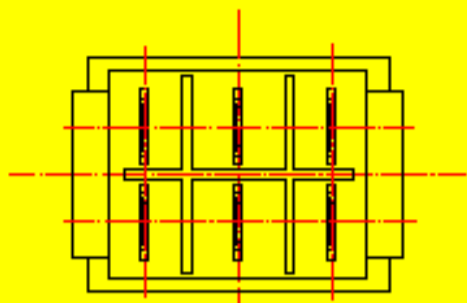
Panel Installation Size



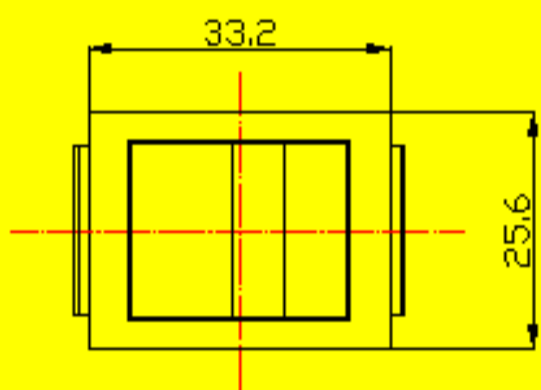
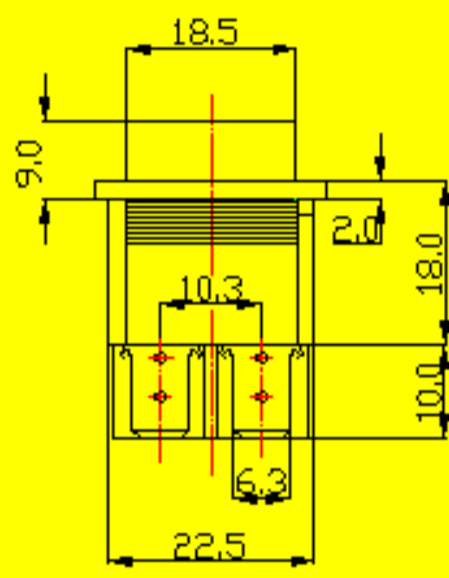
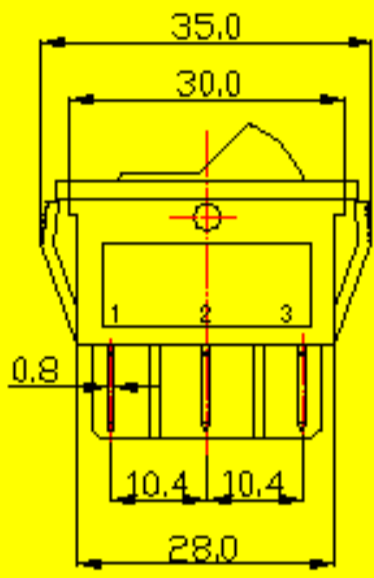
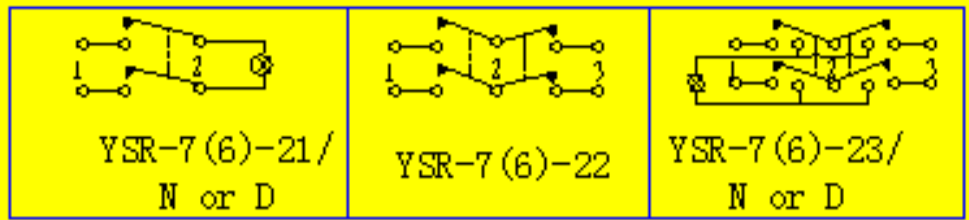
Panel Installation Thickness 1 ~ 4mm

- \* Product Name: Rocker Switch;
- \* Model No: YSR-7(6)-21/N or D, YSR-7(6)-22, YSR-7(6)-23/N or D;
- \* Voltage Resistance: 2000VAC, 1MIN;
- \* Operating Temperature: -30 to +85°C

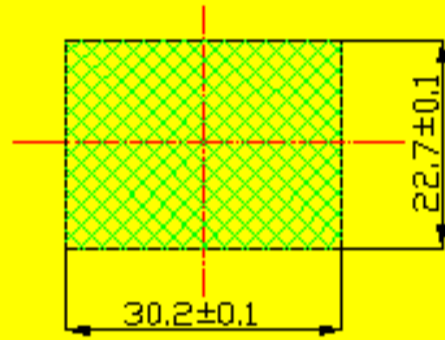
KNOB COLOR	BLACK; RED; GREEN; ORANGE; BLUE; ...
BASE COLOR	GRAY; BLACK; WHITE; ...
KNOB SHAPE	TYPE A:  TYPE B:  TYPE C: 



Wiring Diagram






Panel Installation Size

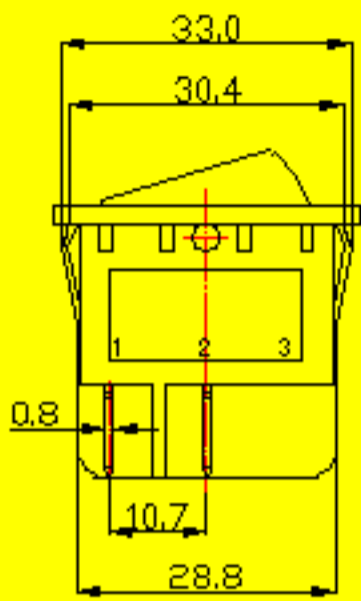
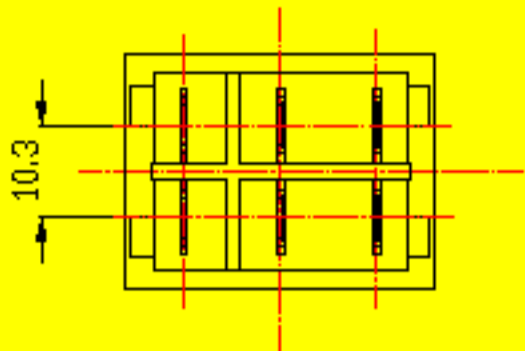


Panel Installation Thickness 1 ~ 4mm

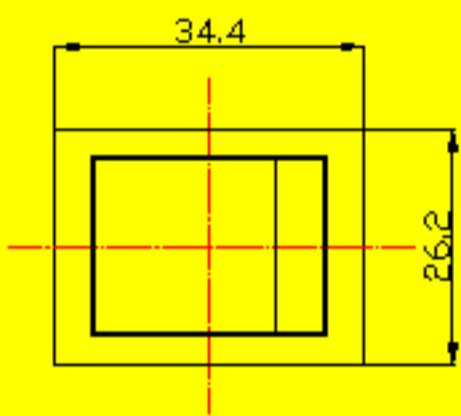
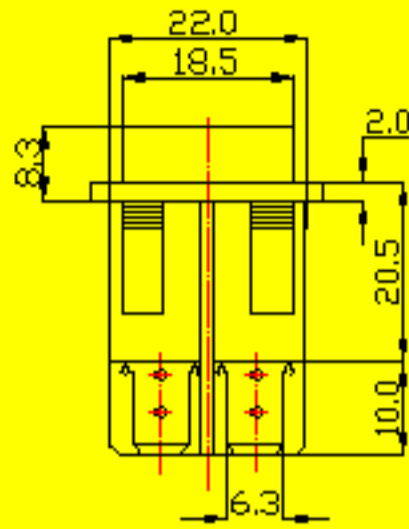
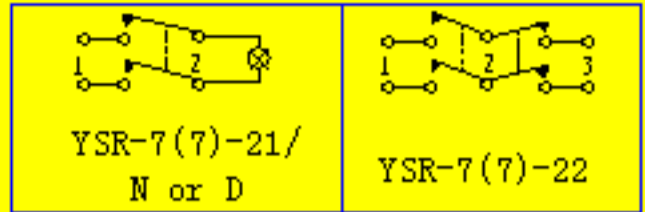


- \* Product Name: Rocker Switch;
- \* Model No: YSR-7(7)-21/N or D, YSR-7(7)-22;
- \* Voltage Resistance: 2000VAC, 1MIN;
- \* Operating Temperature: -30 to +85°C

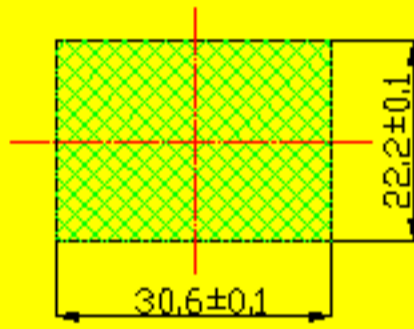
KNOB COLOR	BLACK; RED; GREEN; ORANGE; BLUE; ...
BASE COLOR	GRAY; BLACK; WHITE; ...
KNOB SHAPE	TYPE A:  TYPE B:  TYPE C: 



Wiring Diagram






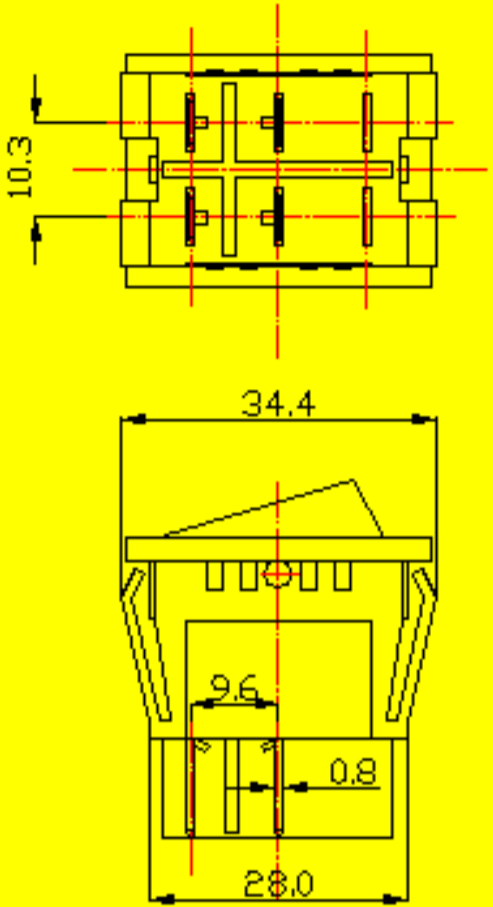
Panel Installation Size



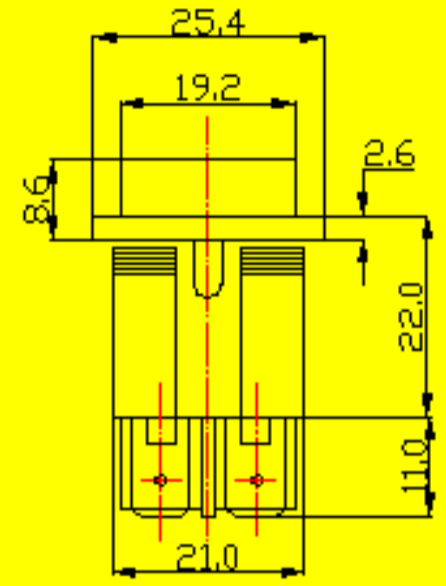
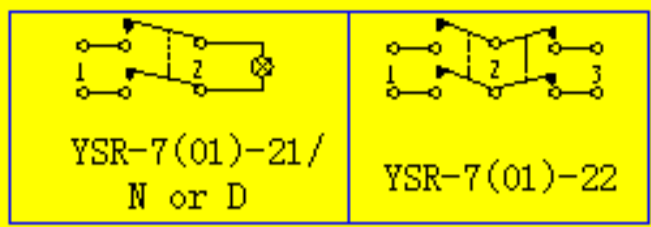
Panel Installation Thickness 1 ~ 4mm

- \* Product Name: Rocker Switch;
- \* Model No: YSR-7(01)-21/N or D, YSR-7(01)-22;
- \* Voltage Resistance: 2000VAC, 1MIN;
- \* Operating Temperature: -30 to +85°C

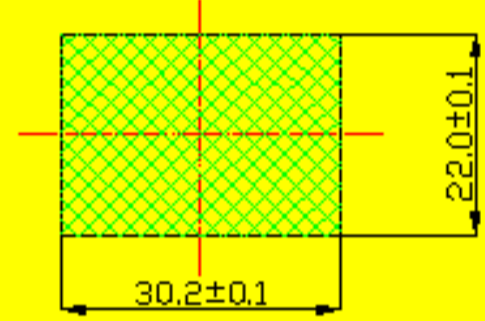
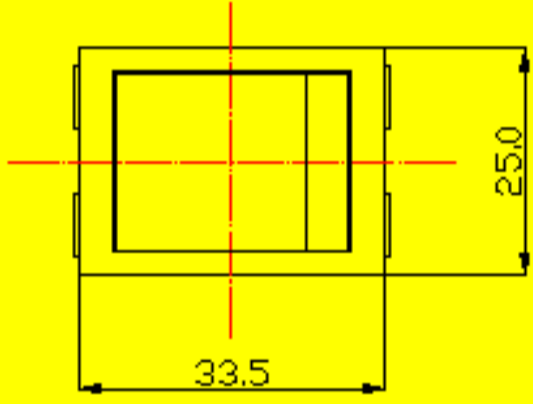
KNOB COLOR	BLACK; RED; GREEN; ORANGE; BLUE; ...
BASE COLOR	GRAY; BLACK; WHITE; ...
KNOB SHAPE	TYPE A:  TYPE B:  TYPE C: 



Wiring Diagram






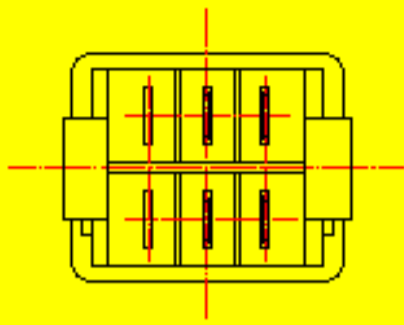
Panel Installation Size



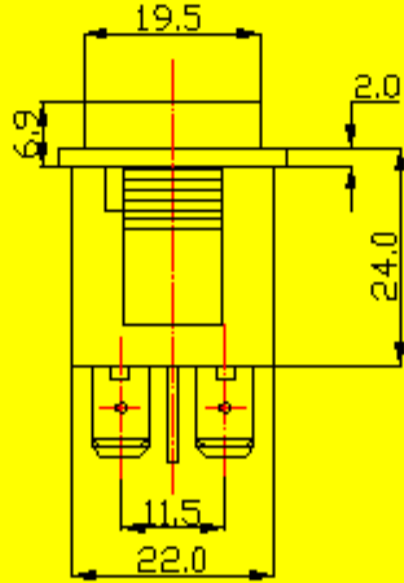
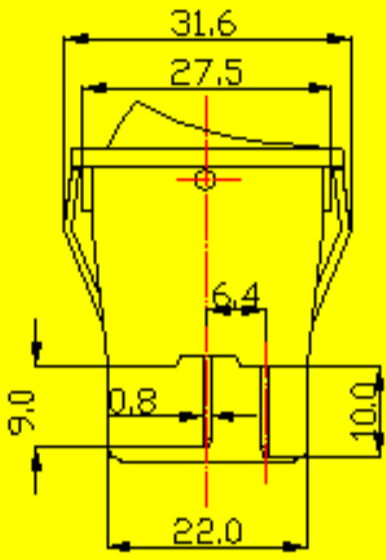
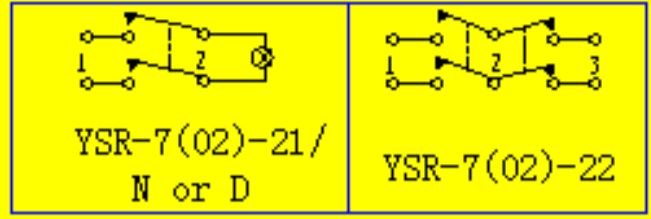
Panel Installation Thickness 1 ~ 4mm

- \* Product Name: Rocker Switch;
- \* Model No: YSR-7(02)-21/N or D, YSR-7(02)-22;
- \* Voltage Resistance: 2000VAC, 1MIN;
- \* Operating Temperature: -30 to +85°C

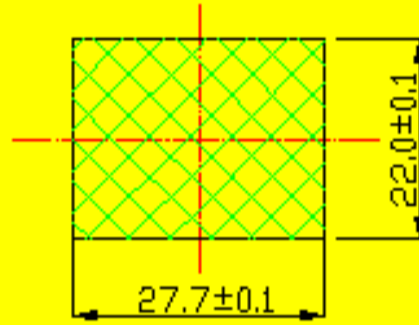
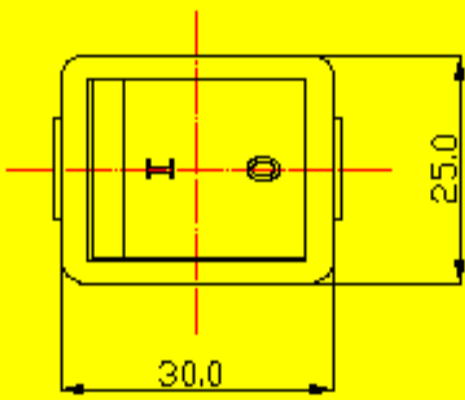
KNOB COLOR	BLACK; RED; GREEN; ORANGE; BLUE; ...
BASE COLOR	GRAY; BLACK; WHITE; ...
KNOB SHAPE	TYP B A:  TYP B B:  TYP B C: 



Wiring Diagram




Panel Installation Size

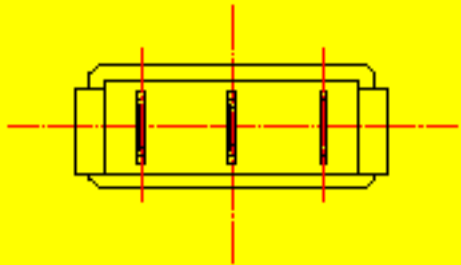


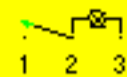

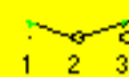
Panel Installation Thickness 1 ~ 4mm

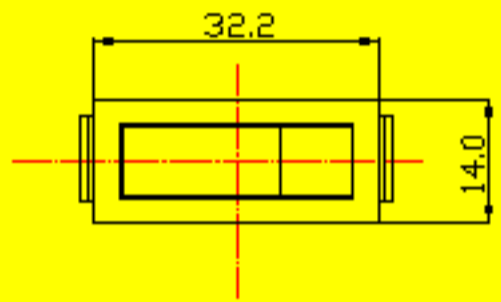
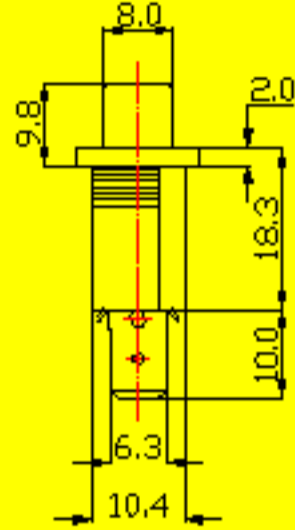
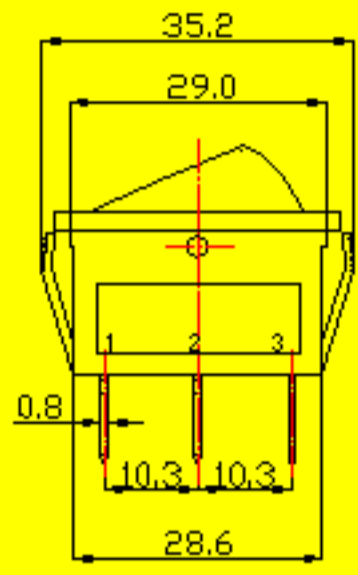
- \* Product Name: Rocker Switch;
- \* Model No: YSR-15(8)-11/N or D, YSR-15(8)-11, YSR-15(8)-12;
- \* Voltage Resistance: 2000VAC, 1MIN;
- \* Operating Temperature: -30 to +85°C

KNOB COLOR	BLACK; RED; GREEN; ORANGE; BLUE; ...
BASE COLOR	GRAY; BLACK; WHITE; ...
KNOB SHAPE	FLAT:  TORSTON:  SHIP: 

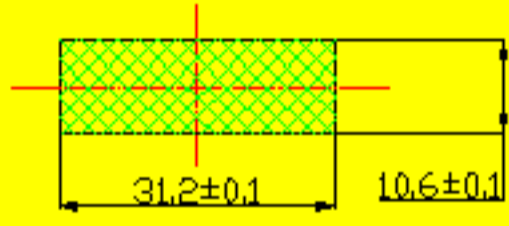
Wiring Diagram



 1 2 3 YSR-15(8)-11/ N or D	 1 2 YSR-15(8)-11	 1 2 3 YSR-15(8)-12
---	--	--




Panel Installation Size

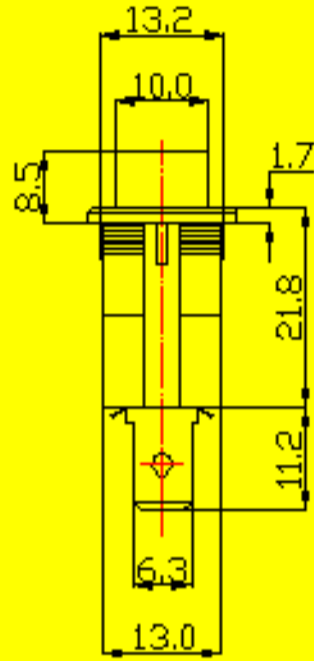
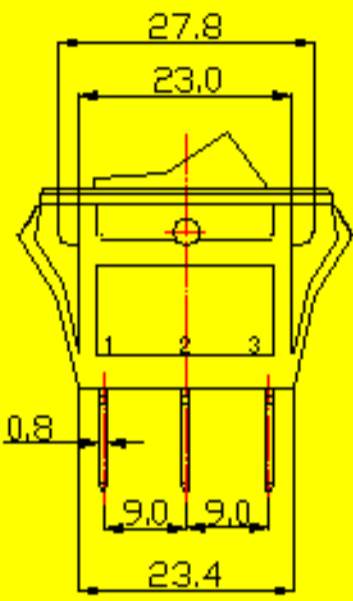
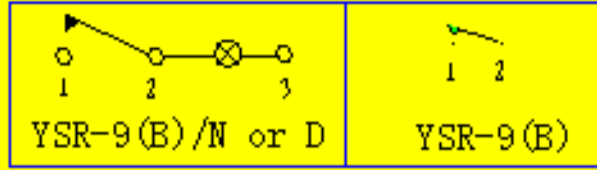
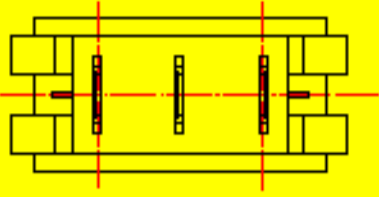


Panel Installation Thickness 1 ~ 4mm

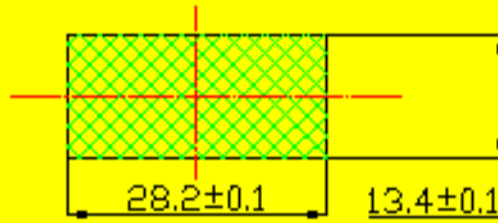
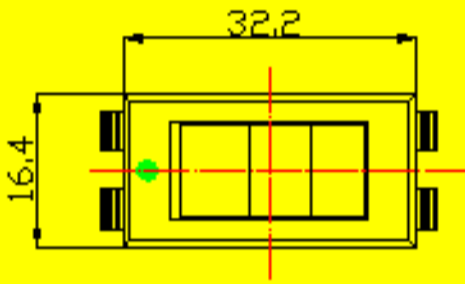
- \* Product Name: Rocker Switch;
- \* Model No: YSR-9(B)/N or D, YSR-9(B);
- \* Voltage Resistance: 2000VAC, 1MIN;
- \* Operating Temperature: -30 to +85°C

KNOB COLOR	BLACK; RED; GREEN; ORANGE; BLUE; ...
BASE COLOR	GRAY; BLACK; WHITE; ...
KNOB SHAPE	TYPB B: 

Wiring Diagram




Panel Installation Size

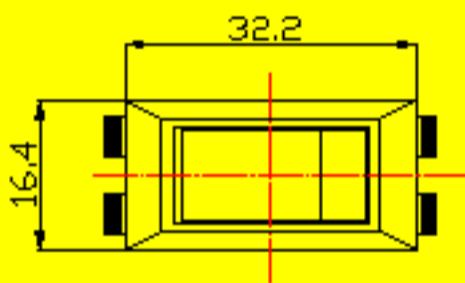
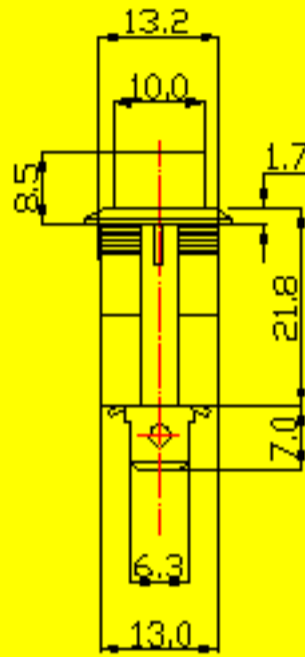
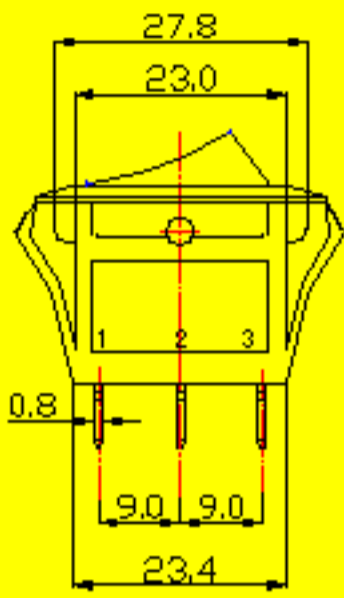
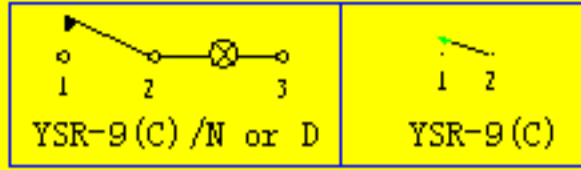
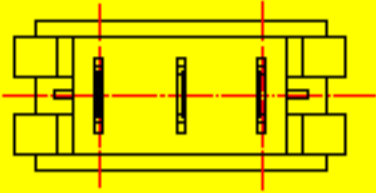


Panel Installation Thickness 1 ~ 4mm

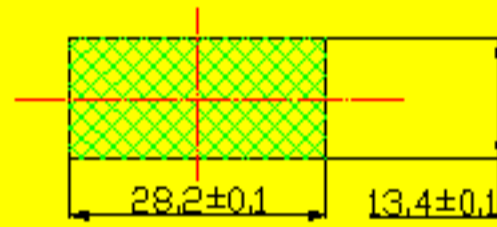
- \* Product Name: Rocker Switch;
- \* Model No: YSR-9(C) /N or D, YSR-9(C);
- \* Voltage Resistance: 2000VAC, 1MIN;
- \* Operating Temperature: -30 to +85°C

KNOB COLOR	BLACK; RED; GREEN; ORANGE; BLUE; ...
BASE COLOR	GRAY; BLACK; WHITE; ...
KNOB SHAPE	TYPE C: 

Wiring Diagram



Panel Installation Size



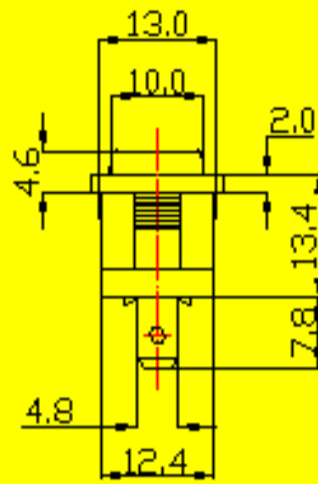
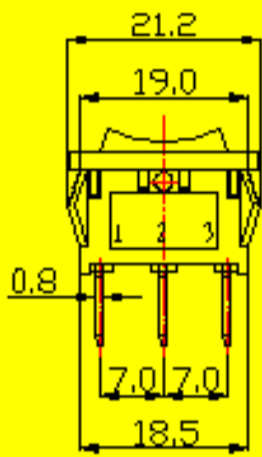
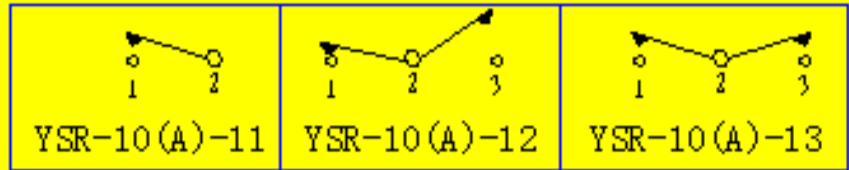
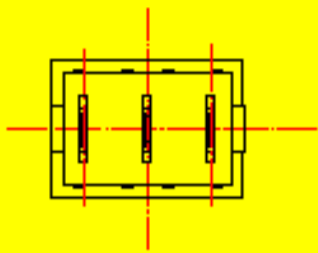
Panel Installation Thickness 1 ~ 4mm

- \* Product Name: Rocker Switch;
- \* Model No: YSR-10(A)-11; YSR-10(A)-12; YSR-10(A)-13;
- \* Voltage Resistance: 2000VAC, 1MIN;
- \* Operating Temperature: -30 to +85°C

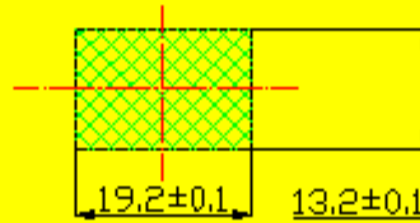
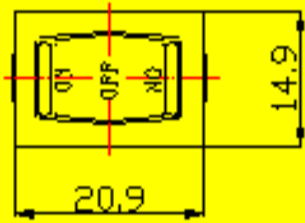
KNOB COLOR	BLACK; RED; GREEN; ORANGE; BLUE; ...
BASE COLOR	GRAY; BLACK; WHITE; ...
KNOB SHAPE	TYPE C: 

YSR-1013

Wiring Diagram




Panel Installation Size

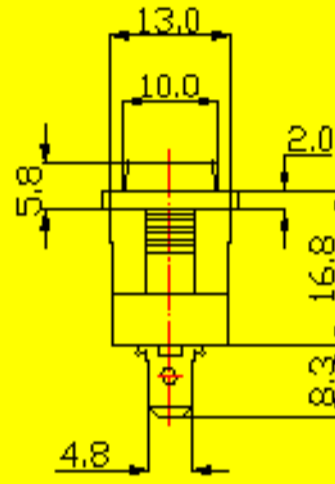
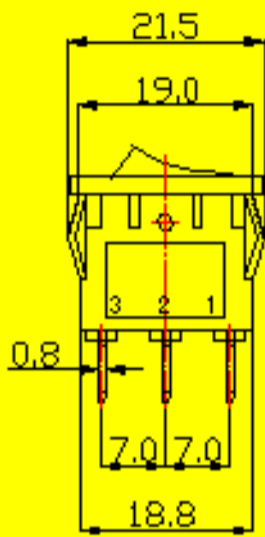
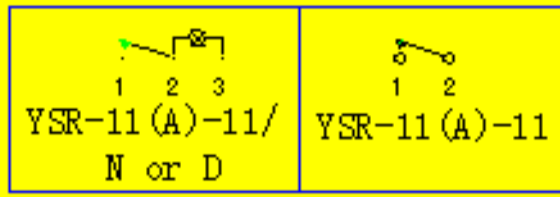
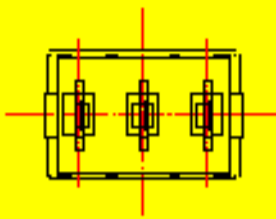


Panel Installation Thickness 1 ~ 4mm

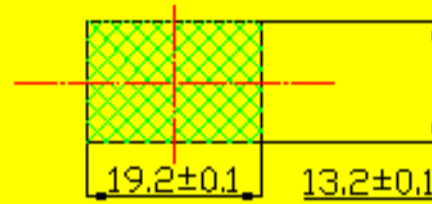
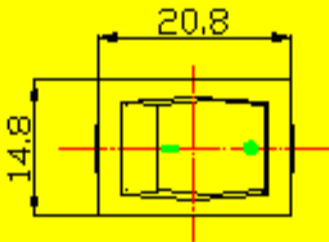
- \* Product Name: Rocker Switch;
- \* Model No: YSR-11(A)-11/N or D, YSR-11(A)-11;
- \* Voltage Resistance: 2000VAC, 1MIN;
- \* Operating Temperature: -30 to +85°C

KNOB COLOR	BLACK; RED; GREEN; ORANGE; BLUE; ...
BASE COLOR	GRAY; BLACK; WHITE; ...
KNOB SHAPE	TYPE C: 

Wiring Diagram




Panel Installation Size



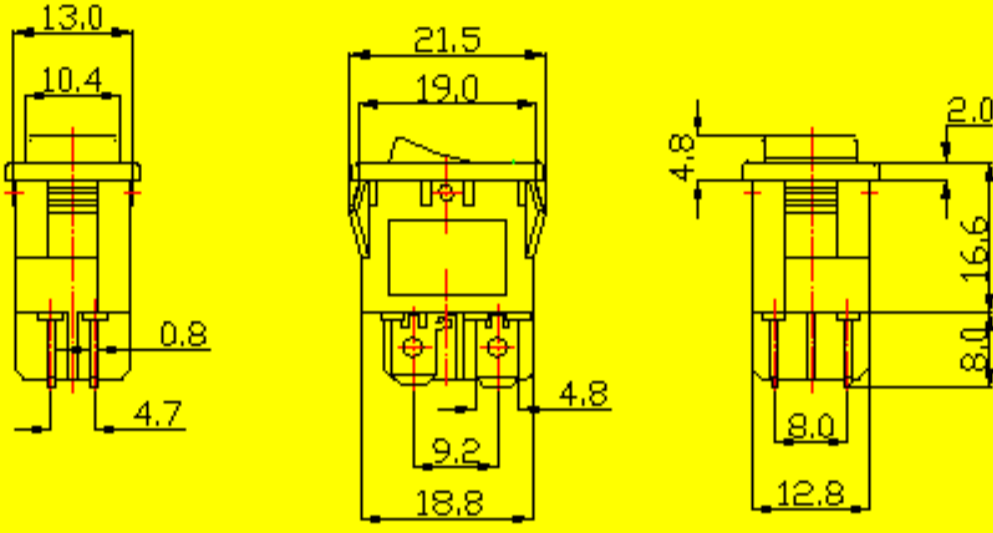
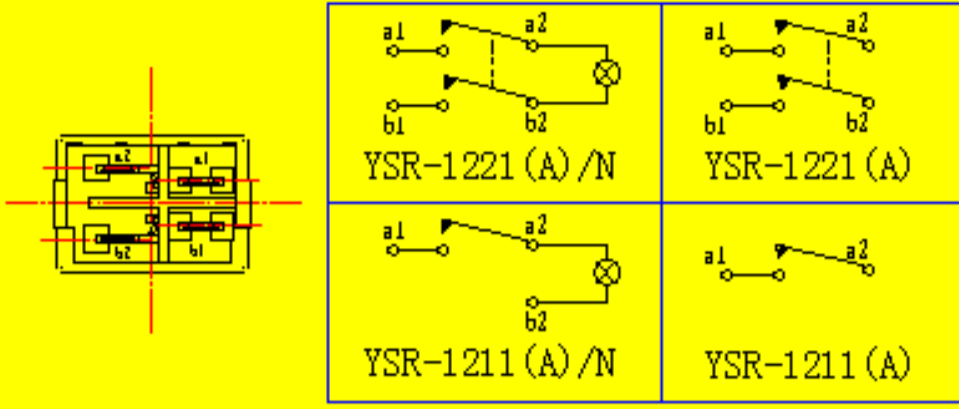
Panel Installation Thickness 1 ~ 4mm



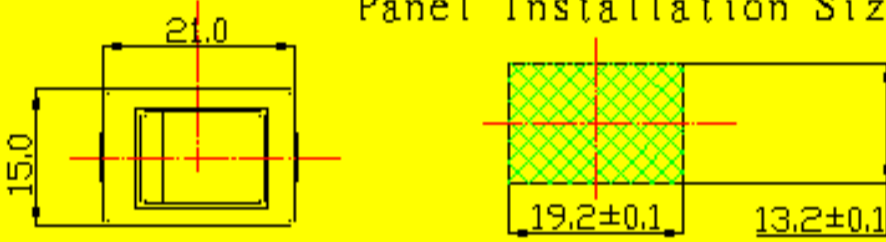
- \* Product Name: Rocker Switch;
- \* Model No: YSR-1221(A)/N, YSR-1221(A), YSR-1211(A)/N, YSR-1211(A)
- \* Voltage Resistance: 2000VAC, 1MIN;
- \* Operating Temperature: -30 to +85°C

KNOB COLOR	BLACK; RED; GREEN; ORANGE; BLUE; ...
BASE COLOR	GRAY; BLACK; WHITE; ...
KNOB SHAPE	TYPE C: 

Wiring Diagram




Panel Installation Size

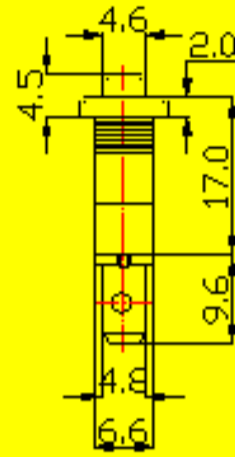
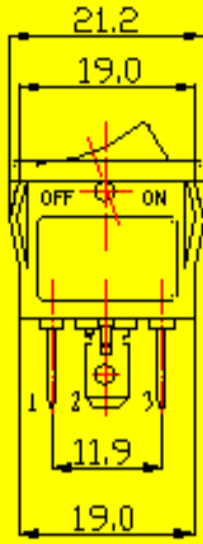
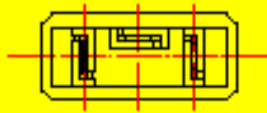
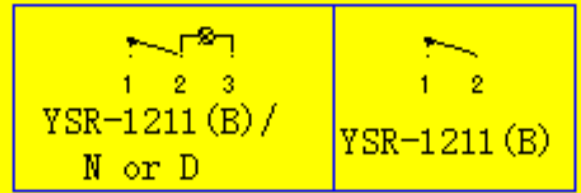


Panel Installation Thickness 1 ~ 4mm

- \* Product Name: Rocker Switch;
- \* Model No: YSR-1211(B)/N or D, YSR-1211(B);
- \* Voltage Resistance: 2000VAC, 1MIN;
- \* Operating Temperature: -30 to +85°C

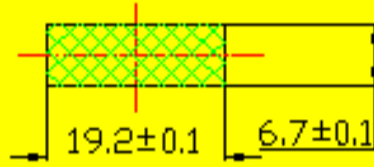
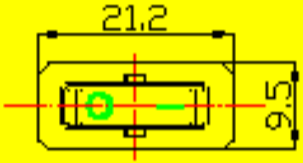
KNOB COLOR	BLACK; RED; GREEN; ORANGE; BLUE; ...
BASE COLOR	GRAY; BLACK; WHITE; ...
KNOB SHAPE	TYPE C: 

Wiring Diagram



CHINA ZL: 00268082.3

Panel Installation Size



Panel Installation Thickness 1~4mm