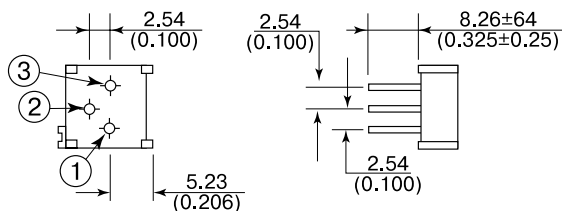


Multi-Turn Cermet Trimmer Potentiometers

3296



3296P



Electrical Characteristics

Standard Resistance Range	10 ohms to 2 megohms (see standard resistance table)
Resistance Tolerance	±10%std. (tighter tolerance available)
Absolute Minimum Resistance	1% or 2ohms max. (whichever is greater)
Contact Resistance Variation	1.0% or 3 ohms max. (whichever is greater)
Adjustability Voltage Resistance	±0.01% ±0.05%
Resolution	Infinite
Insulation Resistance	500vdc, 1,000 megohms min.
Dielectric Strength Sea Level 70,000 Feet	900 vac 350 vac
Effective Travel	25 turns nom.

Environmental Characteristics

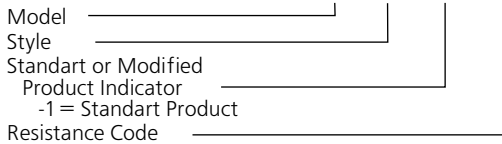
Power Rating (300 volts max.) 70°C 125°C	0.5 watt 0 watt
Temperature Range	-55°C to +150°C
Temperature Coefficient	±100 ppm/°C
Seal Test	85°C Fluorinert
Humidity	MIL-STD-202 Method 103 96 hours (2 % ΔTR, 10 Megohms IR)
Vibration	20 G (1 % ΔTR; 1 % ΔVR)
Shock	100 G (1 % ΔTR; 1 % ΔVR)
Load Life	1,000 hours 0.5 watt @ 70°C (3 % ΔTR; 3 % or 3 ohms, whichever is greater, CVR)
Rotational Life	200 cycles (4 % ΔTR; 3 % or 3 ohms, whichever is greater, CVR)

Physical Characteristics

Torque	0.3 oz-in. max
Mechanical Stops	Wiper idles
Terminals	Solderable pins
Weight	0.03 oz.
Marking	Manufacturer's trademark, resistance code, wiring diagram, date code, manufacturer's model number and style
Wiper	50 % ±10 %
Flammability	U.L.94V-O
Standard Packaging	50 psc. per tube
Adjustment Tool	H-90

How To Order

3296 W - 1 - 103



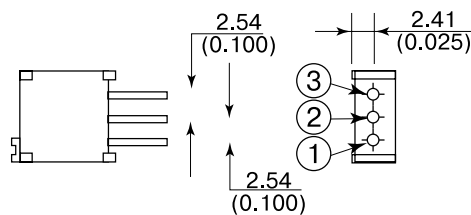
Consult factory for other available options.

Standard Resistance Table

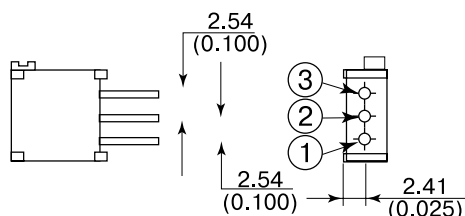
Resistance (Ohms)	Resistance Code
10	100
20	200
50	500
100	101
200	201
500	501
1,000	102
2,000	202
5,000	502
10,000	103
20,000	203
25,000	253
50,000	503
100,000	104
200,000	204
250,000	254
500,000	504
1,000,000	105
2,000,000	205

Popular values listed in boldface. Special resistances available.

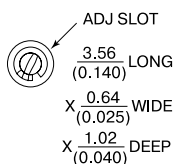
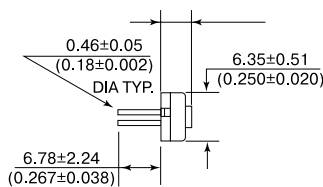
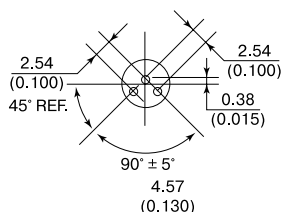
3296W



3296X



3329



3329H



Electrical Characteristics

Standard Resistance Range	10 ohms to 1 megohms (see standard resistance table)
Resistance Tolerance	±10%std. (closer tolerance available)
Absolute Minimum Resistance	1% or 2 ohms (whichever is greater)
Contact Resistance Variation	3.0% or 3 ohms max. (whichever is greater)
Adjustability Voltage Resistance	±0.05% ±0.15%
Resolution	Infinite
Insulation Resistance	500vdc. 1,000 megohms min.
Dielectric Strength Sea Level 70,000 Feet	600 vac 250 vac
Effective Travel	240° nom.

Environmental Characteristics

Power Rating (300 volts max.) 85°C 150°C	0.5 watt 0 watt
Temperature Range	-55°C to +150°C
Temperature Coefficient	±100 ppm/°C
Seal Test	85°C Fluorinert
Humidity	MIL-STD-202 Method 106 96 hours (3 % ΔTR, 10 Megohms IR)
Vibration	30 G (1 % ΔTR; 1 % ΔVR)
Shock	100 G (1 % ΔTR; 1 % ΔVR)
Load Life	1,000 hours 0.5 watt @ 85°C (3 % ΔTR; 3 % CVR)
Rotational Life	200 cycles (4 % ΔTR; 4 % CVR)

How To Order

Model **3329 H - 1 - 103**

Style _____

Standart or Modified _____

Product Indicator
-1 = Standart Product
-DK9 = Plastic Spacer

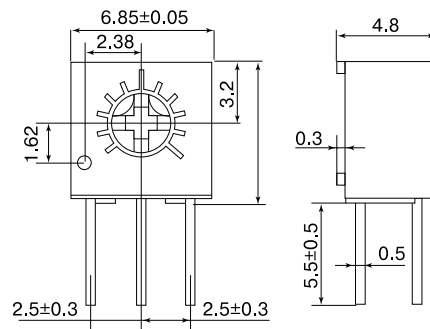
Resistance Code _____

Consult factory for other available options.

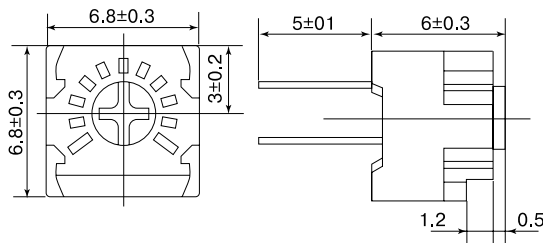
Physical Characteristics

Mechanical Angle	260° nom.
Torque.	5.0 oz-in. max
Stop Strength	5.0 oz-in. min.
Terminals	Solderable pins
Weight	0.02 oz.
Marking	Manufacturer's trademark, resistance code, date code, manufacturer's model number and style
Wiper	Positioned at 50 % nominal
Standard Packaging	50 psc. per tube
Adjustment Tool	H-90

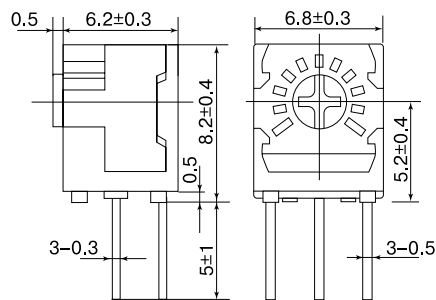
3362



3323P



3323W



3006P

