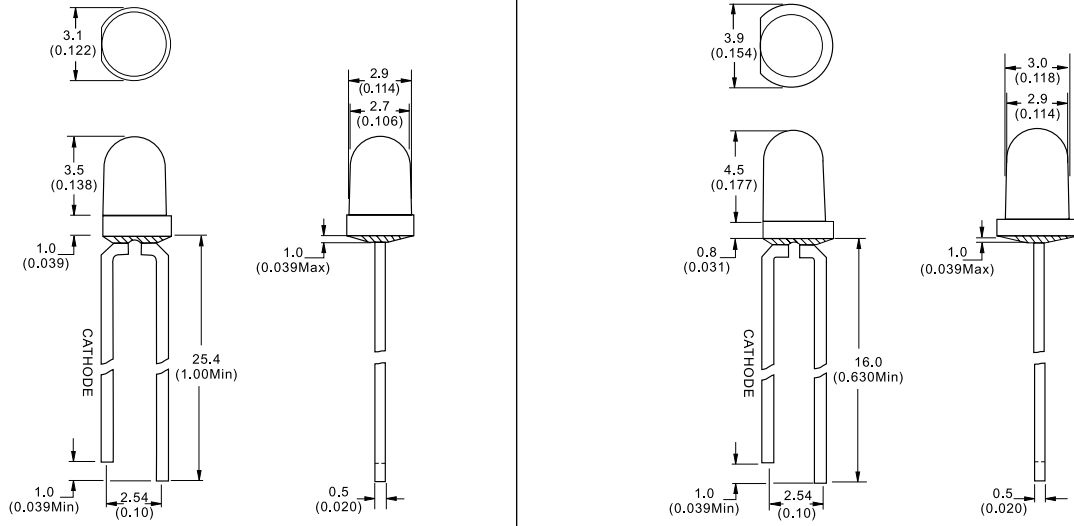


## Standart Led Lamps (3mm)



### Absolute Maximum Ratings: ( $T_a=25^{\circ}\text{C}$ )

Reverse Voltage	5 Volt
Reverse Current ( $V_r = 5V$ )	100 $\mu$ A
Operating Temperature Range	-40 $^{\circ}$ C To 85 $^{\circ}$ C
Storage Temperature Range	-40 $^{\circ}$ C To 100 $^{\circ}$ C
Lead Soldering Temperature (1.6mm(1/16)From Body)	260 $^{\circ}$ C For 5 Seconds

Material	Emitted Color	Peak Wave Length $\lambda_p$ (nm)	Lens color	VF(V)@IF=20ma		IR( $\mu$ A) @VR=5V	Luminous Intensity IV(mcd)	
				Typ.	Max.		Typ.	IF(ma)
GaAsP	Red	655	Red Diffused	1.7	2.0	100	1.5	10
GaP	Red	697	Red Diffused	2.1	2.8	100	1.6	10
GaAsP on Gap	Orange Red	635	Red Diffused	2.0	2.8	100	6.0	10
GaP	Green	565	Green Diffused	2.2	2.8	100	8.0	10
GaAsP on Gap	Yellow	585	Yellow Diffused	2.2	2.8	100	7.0	10
GaAsP on Gap	Orange	635	Orange Diffused	2.0	2.8	100	8.0	10
GaAsP on Gap	Amber	600	Amber Diffused	2.2	2.8	100	6.5	10

Parameter	Symbol	Unit	Test Condition
Reverse Voltage	$V_r$	VOLT	$V_r = 5.0\text{V}$ $I_r = 20\text{mA}$ $I_r = 20\text{mA}$ $I_r = 20\text{mA}$
Reverse Current	$I_r$	$\mu$ A	
Forward Voltage	$V_f$	VOLT	
Luminous Intensity	$I_v$	MCD	
Viewing Angle	$2\theta_{1/2}$	DEGREE	
Recommended Operating Current	$I_f$ (Rec)	mA	