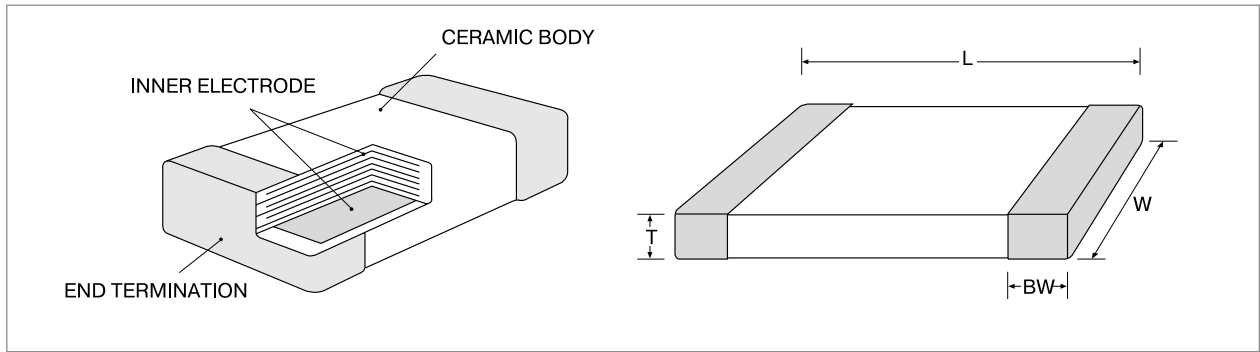


# Chip Multilayer Ceramic Capacitor



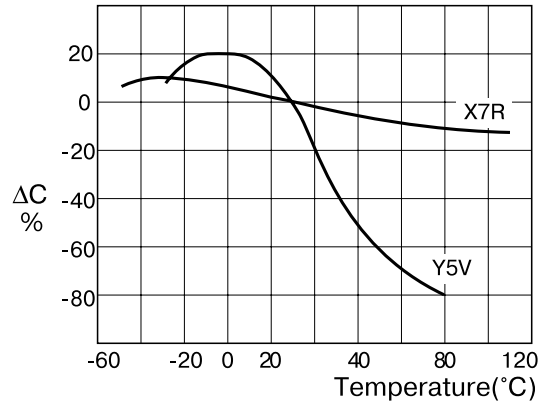
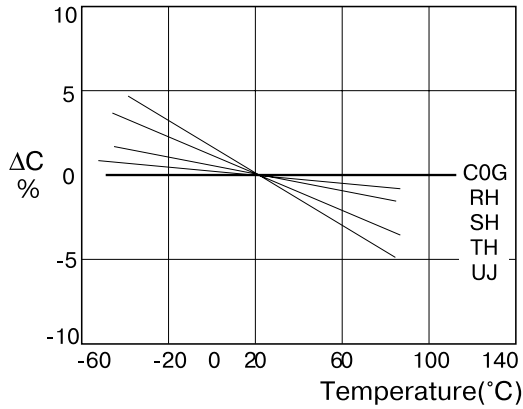
EIA Code	DIMENSION (mm)			
	L	W	T(MAX)	BW
<b>0402</b>	1.0±0.05	0.5±0.05	0.5±0.05	0.2+0.15/-0.1
<b>0603</b>	1.6±0.1	0.8±0.1	0.8±0.1	0.3±0.2
<b>0805</b>	2.0±0.1	1.25±0.1	1.25±0.1	0.5+0.2/-0.3
<b>1206</b>	3.2±0.2	1.6±0.2	1.6±0.2	0.5+0.2/-0.3
<b>1210</b>	3.2±0.3	2.5±0.2	2.5±0.2	0.6±0.3
<b>1812</b>	4.5±0.4	3.2±0.3	2.5±0.2	0.8±0.3
<b>2220</b>	5.7±0.4	5.0±0.3	2.5±0.3	1.0±0.3

Temperature Characteristics	CH	X7R			Y5V		
	50V	16V	25V	50V	16V	25V	50V
Rated Voltage (DC)	50V	16V	25V	50V	16V	25V	50V
Capacitance (pF)							
10							
15							
22							
33							
47							
68							
100							
150							
220							
330							
470							
680							
1000							
1500							
3300							
4700							
10000							
22000							
47000							
100000							
150000							

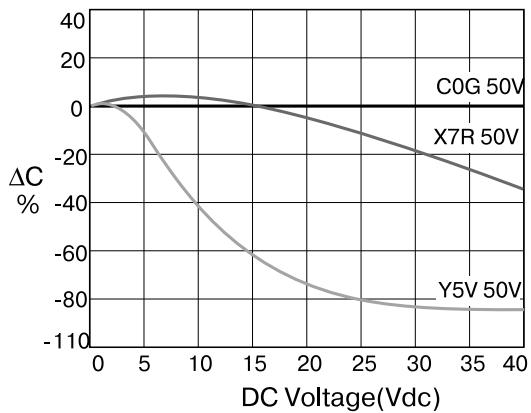
\*Please contact us for special capacitance and high voltage (100V)

Description		Type 0402	Type 0603	Type 0805			Type 1206			
Dimension (mm)	L	1.0±0.05	1.6±0.1	2.0±0.1			3.2±0.2			
	W	0.5±0.05	0.8±0.1	1.25±0.1			1.6±0.2			
	T	0.5±0.05	0.8±0.1	0.65- +0.05/-0.1	0.85- +0.05/-0.1	1.25±0.1	0.85±0.15	1.25±0.2	1.6±0.2	
MAX Capacitance (pF)	SL	50V	240	1000	1000	1500	2700	2700	5600	8200
		100V	-	680	560	910	1000	1500	3300	3900
	C,TC (ExceptSL)	25V	150	1000	-	-	-	3600	6800	10000
		50V	150	1000	560	1000	2200	2200	4700	-
		100V	-	300	430	680	1200	2200	3600	5100
		200V	-	-	-	300	560	820	1600	2400
		500V	-	-	-	-	-	-	560	820
		1000V	-	-	-	-	-	-	-	-
		2000V	-	-	-	-	-	-	-	-
		3000V	-	-	-	-	-	-	-	-
	B (X7R)	6.3V	-	1000000	-	-	4700000	-	-	10000000
		10V	100000	470000	270000	470000	1000000	1000000	3300000	4700000
		16V	68000	220000	200000	330000	1000000	910000	1500000	3300000
		25V	10000	47000	68000	130000	330000	390000	620000	1000000
		50V	4700	27000	39000	56000	100000	150000	240000	470000
		100V	-	4700	12000	20000	33000	62000	100000	150000
		200V	-	-	-	12000	20000	30000	56000	750000
		500V	-	-	-	-	-	-	24000	360000
		1000V	-	-	-	-	-	-	-	-
		2000V	-	-	-	-	-	-	-	-
3000V	-	-	-	-	-	-	-	-		
F (Y5V)	10V	220000	1000000	-	-	4700000	-	-	1000000	
	16V	220000	470000	680000	1000000	2200000	2200000	4700000	-	
	25V	33000	330000	220000	470000	1000000	1000000	2200000	3300000	
	50V	10000	100000	68000	150000	470000	470000	680000	-	

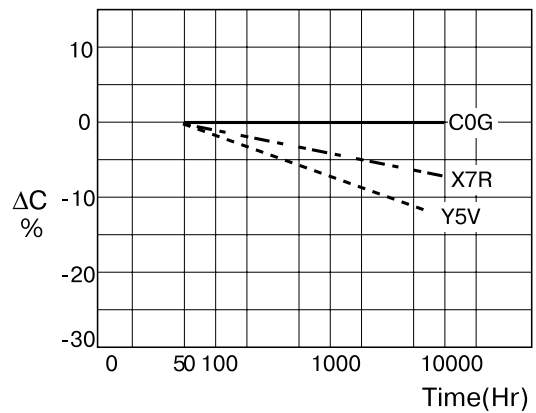
## CAPACITANCE – TEMPERATURE CHARACTERISTICS



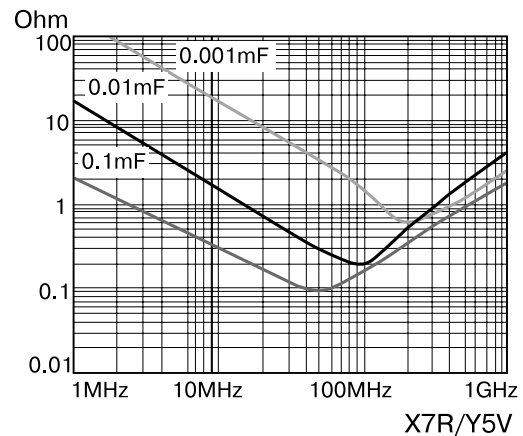
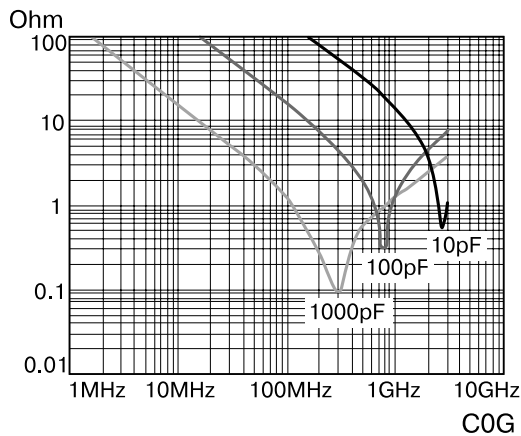
## CAPACITANCE – DC VOLTAGE CHARACTERISTICS



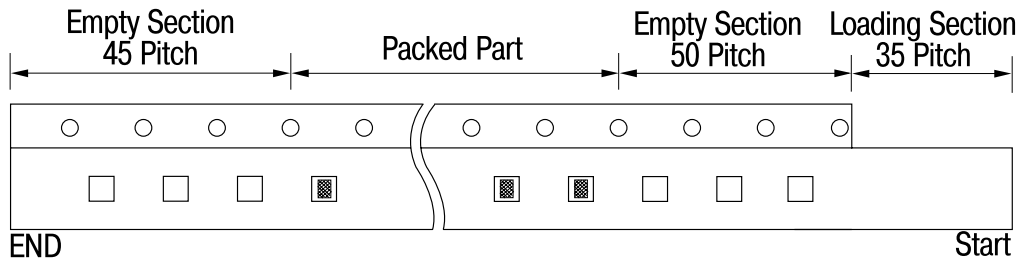
## CAPACITANCE CHANGE – AGING



## IMPEDANCE – FREQUENCY CHARACTERISTICS



## Taping Size

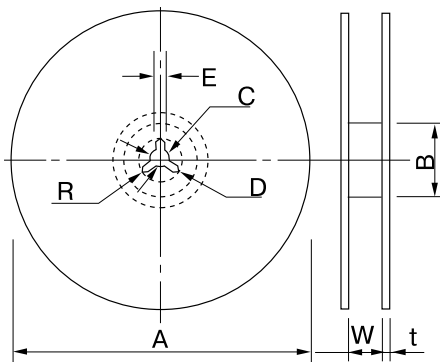


Unit: pcs

Type	Symbol	Cardboard Paper Tape	Symbol	Embossed Plastic Tape
7" Reel	C	4,000	E	2,000
10" Reel	O	10,000	-	-
13" Reel	D	10,000	F	10,000
	L	15,000		

## Reel Dimensions

Unit: mm



Symbol	A	B	C	D
7" Reel	$\varnothing 178 \pm 0.2$	min $\varnothing 50$	$\varnothing 13 \pm 0.5$	21 $\pm$ 0.8
13" Reel	$\varnothing 330 \pm 0.2$	min $\varnothing 70$		
Symbol	E	W	t	R
7" Reel	2.0 $\pm$ 0.5	10 $\pm$ 0.5	0.8 $\pm$ 0.2	1.0
13" Reel				