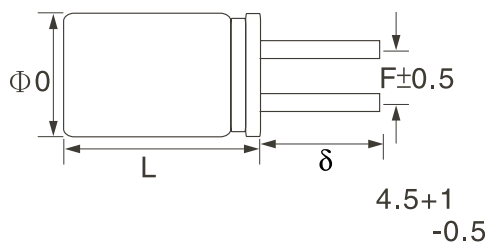
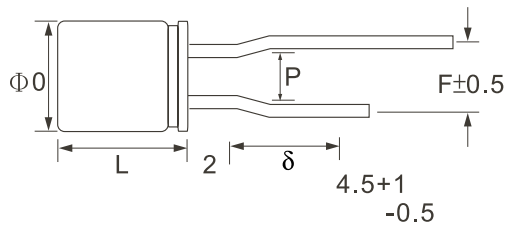
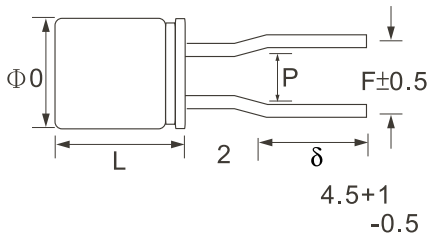
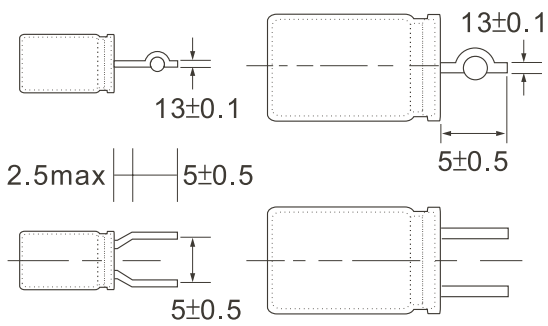


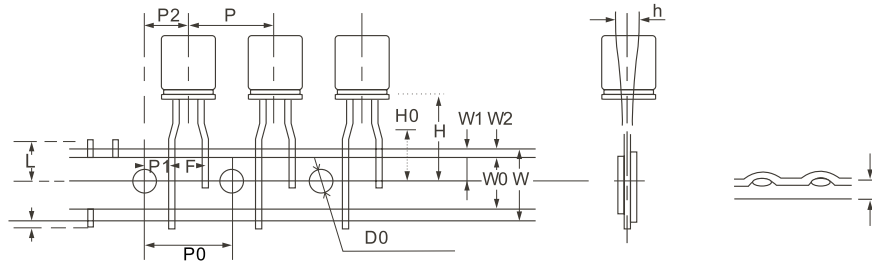
## Lead Cut & Lead Forming

- A RADIAL TYPE electrolytic capacitors with lead wires being cut short or formed in specified configurations are designed for use in printed circuits. These special leads contribute to reduction of the time for insertion soldering
- These capacitors are available on application dependant on your requirement

Code	Method	Dimension (mm)			Shape
		$\phi D$	F	P	
C	CUT ONLY	4	1.5	1.5	
		5	2	2	
		6	2.5	2.5	
		8	3.5	3.5	
		10	5	5	
		13	5	5	
		16	7.5	7.5	
18	7.7	7.5			
Z	FORMED ONLY	4	5	1.5	
		5	5	2	
		6	5	2.5	
		8	5	3.5	
F	FORMED AND CUT	4	5	1.5	
		5	5	2	
		6	5	2.5	
		8	5	3.5	
F	KINKED (Snap-in type forming)	4	5	1.5	
		5	5	2	
		6	5	2.5	
		8	5	3.5	
		10	5	5	
		13	5	5	
		16	7.5	7.5	
18	7.5	7.5			

## Taping and packing

### Taping of Axial Leads

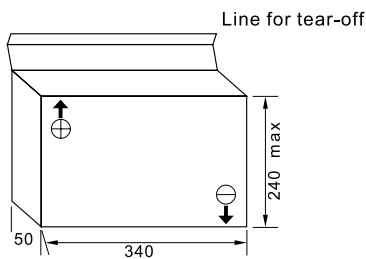


#### Case Size

Pitch between components	P	12.7	±1.0
Feed hole pitch	P0	12.7	±0.2
Feed hole position gap	P1	3.85	±0.5
Lead wire interval	P2	6.85	±1.0
Component alignment	F	5.0	0.8
Carrier tape	Δh	0	±1.0
Hold-down tape width	W	18.0	±0.5
Feed hold position gap	W0	12.5	Min.
Hold-down tape gap	W1	9.0	±0.5
Component-base height	W2	2.5	Max.
Lead wire clinch height	H	18.5	±0.75
Feed hole diameter	H0	16.0	±0.5
Tape thickness (total depth)	D0	4.0	±0.2
Lead wire protrusion	T	0.7	±0.2
Cut position of inferior components	I	2.0	Max.
	L	11.0	Max.

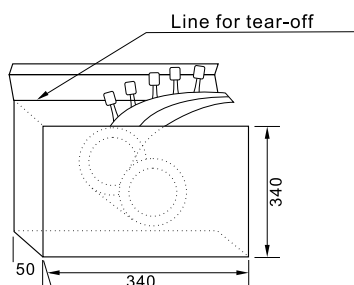
#### Packing and Q'ty

##### 1. Ammo Packing



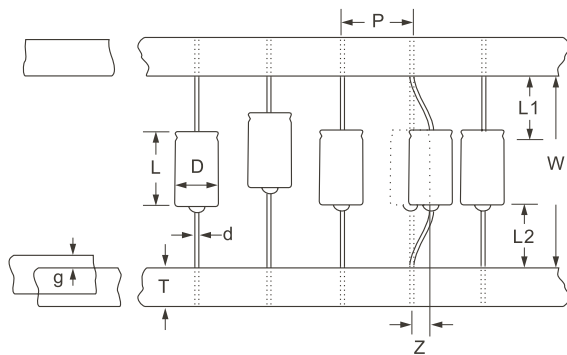
Case	Packing		Weight		Carton Dimension
	Inner Box	Carton	N.W.	G.W.	
4φ	2500 pcs	25000 pcs	10 kgs	11 kgs	490x340x260 mm
5φ	2000 pcs	20000 pcs	10 kgs	11 kgs	490x340x260 mm
6φ	1500 pcs	15000 pcs	10 kgs	11 kgs	490x340x260 mm
8φ	1000 pcs	10000 pcs	10 kgs	11 kgs	490x340x260 mm
10φ	650 pcs	6500 pcs	10 kgs	11 kgs	490x340x260 mm

##### 2. Reel Packing



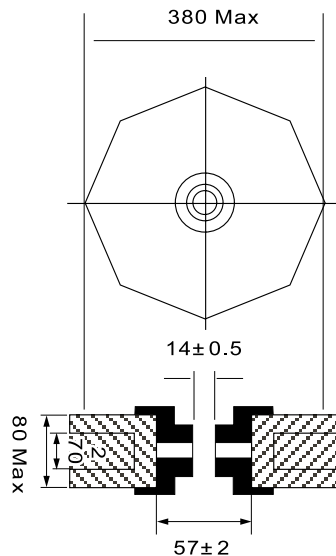
Case	Packing		Weight		Carton Dimension
	Inner Box	Carton	N.W.	G.W.	
4φ	3400 pcs	17000 pcs	10 kgs	11 kgs	380x580x580 mm
5φ	2600 pcs	13000 pcs	10 kgs	11 kgs	380x580x580 mm
6φ	2000 pcs	10000 pcs	10 kgs	11 kgs	380x580x580 mm
8φ	1400 pcs	7000 pcs	10 kgs	11 kgs	380x580x580 mm
10φ	1000 pcs	5000 pcs	10 kgs	11 kgs	380x580x580 mm

## Taping of Axial Leads

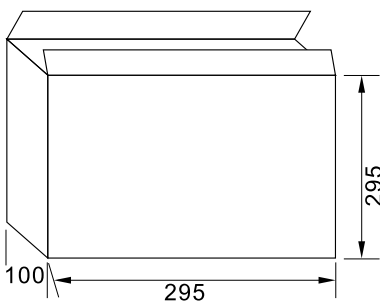


Symble	Dimension (mm)
D	5, 6, 8
L	13-16
d	0.5
P	10
w	63
g	0.6 max.
L1-L2	1.0 max.
Z	1.2 max.
t	3.2 min (Lead ends shall not extend beyond the tape)
T	6.0 ± 1.0

## Reel Dimensions



## Packing and Q'ty



### 1. Ammo Packing

Case	Packing		Weight		Carton Dimension
	Inner Box	Carton	N.W.	G.W.	
6φ	2000 pcs	10000 pcs	8 kgs	10 kgs	380x580x380 mm
8φ	1500 pcs	7500 pcs	12 kgs	14 kgs	380x580x380 mm
10φ	1000 pcs	7500 pcs	18 kgs	20 kgs	380x580x380 mm

### 2. Reel Packing

Case	Packing		Weight		Carton Dimension
	Inner Box	Carton	N.W.	G.W.	
6φ	1000 pcs	5000 pcs	6 kgs	8 kgs	380x580x380 mm
8φ	800 pcs	4000 pcs	6 kgs	8 kgs	380x580x380 mm
10φ	400 pcs	2000 pcs	6 kgs	8 kgs	380x580x380 mm