

LGP 85 °C

Features

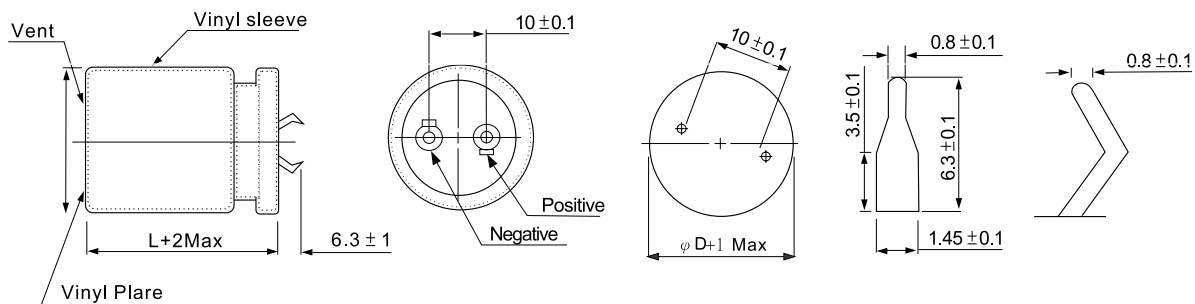
- Has a snap-in terminal which can solder to PCB directly and need not fixture to save processing time
- Suitable for electronic equipment with medium-high voltage circuits
- Printed circuit board terminal snap-in type and lug terminal type available



Specifications

Item	Performance																																									
Operating Temperature Range	-40 °C to +85 °C																																									
Capacitance Tolerance	±20 % (at 120 Hz, 20 °C)																																									
Leakage Current (at 20 °C,)	$I = 0.02 CV$ or 1,5 (uA) whichever is greater (after 5 minutes) Where, C = rated capacitance in μF , V = rated DC working voltage in V.																																									
Dissipation Factor ($\tan \delta$ at 120 Hz, 20 °C)	<table border="1"> <thead> <tr> <th>Rated Voltage</th> <th>16</th> <th>25</th> <th>35</th> <th>50</th> <th>63</th> <th>100</th> <th>160</th> <th>200</th> <th>250</th> <th>350</th> <th>400</th> <th>450</th> </tr> </thead> <tbody> <tr> <td>$\tan \delta$ max</td> <td>0.40</td> <td>0.30</td> <td>0.25</td> <td>0.20</td> <td>0.15</td> <td>0.15</td> <td>0.10*</td> <td>0.10*</td> <td>0.10*</td> <td>0.15</td> <td>0.15</td> <td>0.15</td> </tr> </tbody> </table> <p>*:0.15 for $\phi D = 35$ mm</p>	Rated Voltage	16	25	35	50	63	100	160	200	250	350	400	450	$\tan \delta$ max	0.40	0.30	0.25	0.20	0.15	0.15	0.10*	0.10*	0.10*	0.15	0.15	0.15															
Rated Voltage	16	25	35	50	63	100	160	200	250	350	400	450																														
$\tan \delta$ max	0.40	0.30	0.25	0.20	0.15	0.15	0.10*	0.10*	0.10*	0.15	0.15	0.15																														
Low Temperature Characteristics (at 120 Hz)	Impedance ratio shall not exceed the values given in the table below <table border="1"> <thead> <tr> <th colspan="2">Rated Voltage</th> <th>16</th> <th>25</th> <th>35</th> <th>50</th> <th>63</th> <th>100</th> <th>160</th> <th>200</th> <th>250</th> <th>350</th> <th>400</th> <th>450</th> </tr> </thead> <tbody> <tr> <td rowspan="2">Impedance ratio</td> <td>Z(-25 °C)/Z(+20 °C)</td> <td>4</td> <td>3</td> <td>3</td> <td>2</td> <td>2</td> <td>2</td> <td>4</td> <td>4</td> <td>4</td> <td>4</td> <td>8</td> <td>8</td> </tr> <tr> <td>Z(-40 °C)/Z(+20 °C)</td> <td>15</td> <td>10</td> <td>8</td> <td>6</td> <td>6</td> <td>5</td> <td>4</td> <td>8</td> <td>10</td> <td>16</td> <td>18</td> <td>20</td> </tr> </tbody> </table>	Rated Voltage		16	25	35	50	63	100	160	200	250	350	400	450	Impedance ratio	Z(-25 °C)/Z(+20 °C)	4	3	3	2	2	2	4	4	4	4	8	8	Z(-40 °C)/Z(+20 °C)	15	10	8	6	6	5	4	8	10	16	18	20
Rated Voltage		16	25	35	50	63	100	160	200	250	350	400	450																													
Impedance ratio	Z(-25 °C)/Z(+20 °C)	4	3	3	2	2	2	4	4	4	4	8	8																													
	Z(-40 °C)/Z(+20 °C)	15	10	8	6	6	5	4	8	10	16	18	20																													
Load Life Test	<table border="1"> <thead> <tr> <th>Test Time</th> <th>2000 hrs</th> </tr> </thead> <tbody> <tr> <td>Capacitance Change</td> <td>Within ± 20 % of initial value</td> </tr> <tr> <td>Dissipation Factor</td> <td>Less than 200 % of specified value</td> </tr> <tr> <td>Leakage Current</td> <td>Within specified value</td> </tr> </tbody> </table> <p>*The above specifications shall be suitable when the capacitors are restored to 20 °C after the related voltage applied for 2000 hrs at 85 °C.</p>	Test Time	2000 hrs	Capacitance Change	Within ± 20 % of initial value	Dissipation Factor	Less than 200 % of specified value	Leakage Current	Within specified value																																	
Test Time	2000 hrs																																									
Capacitance Change	Within ± 20 % of initial value																																									
Dissipation Factor	Less than 200 % of specified value																																									
Leakage Current	Within specified value																																									
Shelf Life Test	<table border="1"> <thead> <tr> <th>Test Time</th> <th>1000 hrs</th> </tr> </thead> <tbody> <tr> <td>Capacitance Change</td> <td>Within ± 20 % of initial value</td> </tr> <tr> <td>Dissipation Factor</td> <td>Less than 150 % of specified value</td> </tr> <tr> <td>Leakage Current</td> <td>Within specified value</td> </tr> </tbody> </table> <p>*The above specifications shall be suitable when the capacitors are restored to 20 °C after exposing them for 1000 hrs at 85 °C without voltage applied.</p>	Test Time	1000 hrs	Capacitance Change	Within ± 20 % of initial value	Dissipation Factor	Less than 150 % of specified value	Leakage Current	Within specified value																																	
Test Time	1000 hrs																																									
Capacitance Change	Within ± 20 % of initial value																																									
Dissipation Factor	Less than 150 % of specified value																																									
Leakage Current	Within specified value																																									
Ripple Current & Frequency Multipliers	<table border="1"> <thead> <tr> <th rowspan="2">V.DC (V)</th> <th colspan="5">Freq. (Hz)</th> </tr> <tr> <th>60</th> <th>120</th> <th>120</th> <th>1K</th> <th>10K up</th> </tr> </thead> <tbody> <tr> <td>Under 16</td> <td>0.92</td> <td>1.00</td> <td>1.13</td> <td>1.19</td> <td>1.20</td> </tr> <tr> <td>25-35</td> <td>0.81</td> <td>1.00</td> <td>1.32</td> <td>1.45</td> <td>1.50</td> </tr> <tr> <td>50</td> <td>0.77</td> <td>1.00</td> <td>1.30</td> <td>1.41</td> <td>1.43</td> </tr> </tbody> </table>	V.DC (V)	Freq. (Hz)					60	120	120	1K	10K up	Under 16	0.92	1.00	1.13	1.19	1.20	25-35	0.81	1.00	1.32	1.45	1.50	50	0.77	1.00	1.30	1.41	1.43												
V.DC (V)	Freq. (Hz)																																									
	60	120	120	1K	10K up																																					
Under 16	0.92	1.00	1.13	1.19	1.20																																					
25-35	0.81	1.00	1.32	1.45	1.50																																					
50	0.77	1.00	1.30	1.41	1.43																																					
Ripple Current & Frequency Multipliers	<table border="1"> <thead> <tr> <th>Temperature (°C)</th> <th>70</th> <th>85</th> </tr> </thead> <tbody> <tr> <td>Multiplier</td> <td>1.5</td> <td>1.0</td> </tr> </tbody> </table>	Temperature (°C)	70	85	Multiplier	1.5	1.0																																			
Temperature (°C)	70	85																																								
Multiplier	1.5	1.0																																								
Standards	Satisfies Characteristic W of JIS C 5141																																									

Type 1 Snap-in terminal type (diagram of dimensions)



Dimension & Permissible Ripple Current

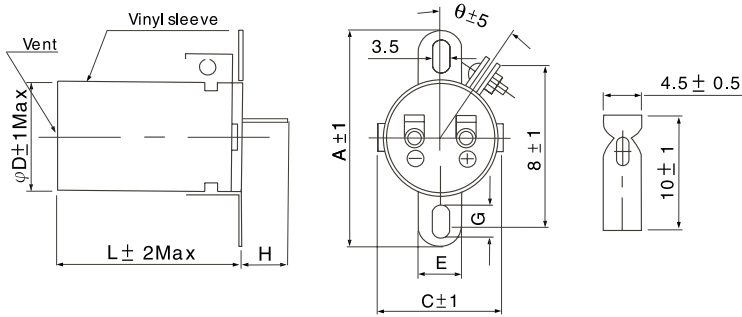
Dimension: $\phi D \times L$ (mm)

Ripple Current: A /rms at 120 KHz, 85 °C

μF \diagdown	V.DV		16 V				25 V				35 V			
	ϕD		22	25	30	35	22	25	30	35	22	25	30	35
4700											22x30 2.41	25x25 2.42		
5600							22x25 2.21				22x35 2.75			
6800							22x30 2.40	25x25 2.56			22x40 2.80	25x30 2.74	30x25 2.97	
8200							22x35 2.72				22x45 3.47	25x35 3.10		
10000			22x25 2.54	25x30 2.74			22x40 3.09	25x35 3.12	30x25 3.21		22x50 3.57	25x40 3.53	30x30 2.46	35x25 3.20
12000			22x30 2.86	25x25 2.95			22x45 3.48	25x35 3.43	30x30 3.86	35x25 3.54		25x45 3.98	30x35 4.01	35x30 4.42
15000			22x35 3.29	25x30 3.46	30x25 3.66		22x50 4.00	25x50 3.95	30x35 4.12				30x40 4.52	35x35 5.01
18000			22x40 3.72	25x35 3.98				25x45 4.45	30x35 4.12	35x30 4.63			30x45 4.71	35x40 5x54
22000			22x50 4.37	25x40 4.26	30x30 4.21	35x25 4.15			30x45 5.21	35x35 5.16				35x45 6.04

μF \diagdown	V.DV		50 V				63 V				100 V			
	ϕD		22	25	30	35	22	25	30	35	22	25	30	35
1200											22x30 2.09	25x25 2.10		
1500											22x35 2.41	25x30 2.43	30x25 2.46	
1800							22x25 1.82				22x40 2.71	25x35 2.75		
2200			22x25 1.91				22x30 2.30	25x25 2.30			22x45 3.08	25x40 3.13	30x30 3.09	35x25 3.14
2700			22x25 2.01				22x35 2.49	25x30 2.52				25x45 3.57	30x35 3.55	35x30 3.71
3300			22x30 2.37	25x25 2.38			22x35 2.62	25x30 2.64	30x25 2.78			25x50 4.06	30x40 4.05	
3900			22x35 2.65	25x30 2.68			22x40 2.93	25x35 2.97					30x45 4.54	35x35 4.09
4700			22x40 2.99	25x35 3.03	30x25 2.81		22x50 3.39	25x40 3.36	30x30 3.32	35x25 3.36			30x50 5.13	35x40 5x11
5600			22x40 3.36	25x40 3.81	30x30 3.37	35x25 3.42		22x50 4.27	30x35 3.75		Case size $\phi \times L$ (mm) \longrightarrow		35x45	
6800			22x50 4.37	25x50 4.37	30x35 3.38			23x50 4.27	30x40 4.27	35x30 4.15	Ripple current A/rms \longrightarrow		5.75	
8200					30x45 4.97	35x30 4.41			30x45 4.83	35x35 4.79				
10000					30x50 5.60	35x35 4.92			30x50 5.49	35x40 5.47				
12000						35x40 5.58				35x45 6.19				
15000						35x45 6.44								

Type 2 Lug terminal type (diagram of dimensions)



Mechanical specifications

Unit: mm

φD	A	B	C	E	G	H	θ
22	43	35	30	10	5.5	12	45
25	48	38	33	10	6.0	12	45
30	52	42	38	10	6.0	12	45
35	48	48	44	10	7.0	12	30

Dimension & Permissible Ripple Current

Dimension: φ D x L (mm)

Ripple Current: A /rms at 120 KHz, 85 °C

V.DV μF	160 V				200 V				250 V			
	22	25	30	35	22	25	30	35	22	25	30	35
150	22x25 0.95				22x25 0.95				22x25 0.91			
180	22x25 1.04				22x25 1.04				22x25 1.01			
220	22x25 1.15				22x25 1.15				22x35 1.27	25x25 1.19		
									22x30 1.16			
270	22x25 1.27				22x25 1.27				22x35 1.38	25x25 1.29		
									22x30 1.26			
330	22x25 1.40				22x30 1.43	25x25 1.43			22x40 1.53	25x30 1.46	30x25 1.15	
									22x35 1.40			
390	22x30 1.62				22x35 1.66	25x30 1.67			22x45 1.72	25x35 1.64	30x30 1.72	
					22x30 1.50	25x25 1.50			22x40 1.57		30x25 1.55	
470	22x30 1.73	22x35 1.75			22x40 1.87	25x30 1.78	30x25 1.84		22x50 1.91	25x40 1.86	30x30 1.83	
					22x35 1.71				22x45 1.77			
560	22x35 1.94	25x30 1.95	30x25 2.02		22x45 2.08	25x35 2.01	30x30 2.10		22x50 2.08	25x45 2.13	30x35 2.13	35x30 2.20
	22x30 1.77	25x25 1.77			22x40 1.92		30x25 1.90					35x25 2.00
680	22x40 2.18	25x35 2.21	35x25 2.14		22x50 2.34	25x40 2.27	30x35 2.39	35x25 2.30		25x50 2.40	30x40 2.42	35x35 2.49
	22x35 1.95	25x30 1.97			22x45 2.17		30x30 2.18					35x30 2.28
820	22x50 2.54	25x40 2.47	30x30 2.44	35x25 2.50	22x50 2.57	25x45 2.63	30x40 2.77	35x35 2.87			30x45 2.27	35x40 2.87
	22x40 2.20	25x35 2.24	30x25 2.18				30x35 2.55	35x30 2.63				35x35 2.60
1000	22x50 2.81	25x45 2.88	30x35 2.87	35x30 2.96		25x50 2.96	30x45 3.13	35x35 3.09			30x50 3.07	35x45 3.18
		25x40 2.62	30x35 2.58	35x25 2.64			30x40 2.90		Case size φD x L (mm)			35x40 2.96
1200		25x50 3.30	30x40 3.32	35x35 3.43			30x50 3.43	35x40 3.40				35x40 3.71
		25x45 3.02	30x35 3.01	35x30 3.10			30x45 3.70	35x35 3.12				
1500			30x45 3.42	35x40 3.54			30x50 3.70	35x50 4.04				
			30x40 3.42	35x35 3.54								
1800			30x50 4.12	35x50 4.5				35x50 4.33				
				35x40 3.95								
2200				35x50 4.74				35x50 4.69				
				35x45 4.53								

Dimension & Permissible Ripple Current

 Dimension: $\varnothing D \times L$ (mm)

Ripple Current: A /rms at 120 KHz, 85 °C

μF \ $\varnothing D$	V.DV	350 V				400 V				450 V			
		22	25	30	35	22	25	30	35	22	25	30	35
56										22x25 0.49			
										22x30 0.59			
68						22x25 0.54				22x25 0.53			
82		22x25 0.60				22x25 0.6				22x30 0.64	25x25 0.64		
		22x25 0.66				22x30 0.71	25x25 0.71			22x35 0.72	25x30 0.68		
100		22x30 0.76	25x25 0.76			22x35 0.83	25x35 0.78			22x40 0.78	25x55 0.79	30x25 0.77	
										25x30 0.73			
120		22x35 0.83	25x30 0.84	30x25 0.87		22x40 0.90	25x30 0.86	30x25 0.89		22x50 0.94	25x40 0.92	30x30 0.91	
						22x35 0.84				22x45 0.88	25x35 0.85		
150		22x30 0.99	25x35 1.01	30x25 0.98		22x45 1.02	25x35 0.98	30x30 1.03	35x25 1.05	22x50 1.07	25x45 1.10	30x35 1.10	35x30 1.13
			25x30 0.92			22x40 0.96		30x25 0.94			25x40 1.02	30x30 1.01	
180		22x45 1.14	25x40 1.44	30x30 1.12		22x50 1.15	25x40 1.12	30x35 1.18	35x25 1.13		25x50 1.27	30x40 1.28	35x30 1.25
			25x35 1.05					30x30 1.08			25x45 1.19	30x35 1.18	
220		22x50 1.27	25x45 1.30	30x35 1.29	35x30 1.33		25x45 1.28	30x40 1.35	35x30 1.31			30x45 1.41	30x45 1.37
			25x40 1.21		35x25 1.21			30x45 1.25				30x40 1.32	
270			25x50 1.53	30x40 1.54	35x30 1.50		25x50 1.46	30x45 1.53	35x35 1.51			30x50 1.63	35x45 1.70
								30x40 1.44	35x30 1.40				35x45 1.59
330				30x45 1.65	35x35 1.63			30x50 1.83	35x40 1.82			30x50 1.77	30x50 1.94
				30x40 1.55				30x45 1.73	35x35 1.70				
390				30x50 1.93	35x40 1.92			30x50 1.99	35x45 2.07				30x50 2.13
				30x45 1.81	35x35 1.79				35x40 1.94				
470					35x45 2.20	Case size $\varnothing D \times L$ (mm) →				35x50 2.32			
					35x40 2.07	Ripple current A/rms →				35x45 2.19			
680					35x40 2.49					35x50 2.51			

* Special design is available upon request